

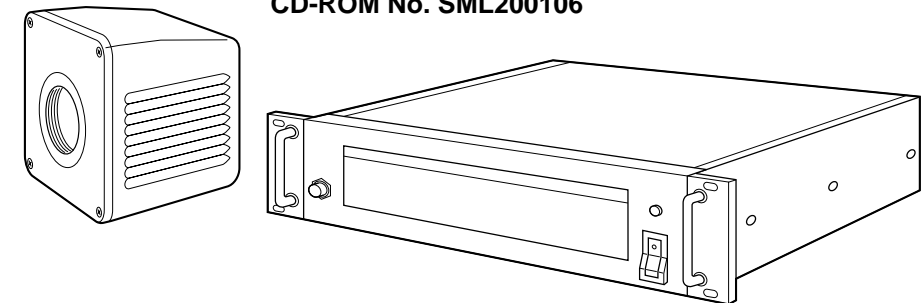
JVC

SCHEMATIC DIAGRAMS

MICRO HD CAMERA

DZ-VCA1SE

CD-ROM No. SML200106



SPECIFICATIONS

* Design and specifications subject to change without notice.

Camera head section

- Image sensing device : 1/3-inch IT-CCD (410,000 pixels)
- Shooting system : 4-CCD new dual green system
- Colour separation optical system : 1/3 type F1.4 3-colour separation prism
- Number of effective pixels : 768 (horizontal) x 494 (vertical), 380,000 pixels
- Camera output : 19 pins
- Lens mount : Special mount (C mount form, flange back: 28.0 mm)
- Dimensions : Camera head; 59 (W) x 70 (H) x 79 (D) mm (2-3/8" x 2-13/16" x 3-1/8") (not including insulating rubber covers)
- Weight : Camera head; 230 g (0.51 lbs.) (not including insulating rubber covers)
- Classification : Type BF

Camera control unit section

- Number of scanning lines : 1125 (980 effective)
- Scanning system : 2:1 interlace
- Scanning frequency : 33.75 kHz (horizontal), 60 Hz (vertical)
- Aspect ratio : 4:3
- Horizontal resolution (center) : More than 800 TV lines (Y signal)
- Vertical resolution (center) : More than 650 TV lines (Y signal)
- S/N : 52 dB
- Sensitivity : F5.6, 2000 lx
- Minimum subject illuminance : 10 lx (F1.6 + 12 dB, 1/30 shutter, 50% level)
- Sync system : Internal sync/external sync
- External sync signal input : Composite video signal of 1 Vp-p or composite sync signal of ± 0.3 Vp-p, 75 ohms, BNC x 1
- Colour bar : Full colour bar
- Contour correction : Horizontal dual-edged (9-step variable)
Vertical dual-edged (9-step variable)
- Electronic shutter speed : 1/30 s, 1/60 s (normal), 1/100 s (flicker-free), 1/175 s, 1/250 s, 1/375 s, 1/500 s, 1/1000 s, 1/2000 s
- Video output
 - R/G/B signal : 0.7 Vp-p, 75 ohms for each (no sync), BNC connector x 3 (one for each)
 - Y/PB/PR : 1 Vp-p, 75 ohms (including sync)
 - PB : 0.7 Vp-p, 75 ohms (including sync)
 - PR : 0.7 Vp-p, 75 ohms (including sync)
 - Sync signal : HD: BNC x 1 (TTL)
VD: BNC x 1 (TTL)
C: SYNC: BNC x 1
(± 0.3 Vp-p, 75 ohms, compliant with HDTV standard ITU-R Rec. 709)

- SCSI Interface : 50 pin mini x 2
- Camera input : 20 pins
- Date indication : Menu system
 - 1) Year, month, day
 - 2) Day, month, year
 - 3) Month, day, year
- Time indication : Menu system,
hour: minute: second
- Power supply : DC 12 V, 1.3 A XLR 4 pins, AA-V112E AC power adaptor (optional)
When using this unit for medical purposes, be absolutely sure to use the separately sold AA-V31E isolation transformer.
- Power consumption : 18 W
- Operating environment : +5°C to +35°C (41°F to 95°F), 35 – 75%
- Allowable storage environment : -20°C to +50°C (-4°F to 122°F), 35 – 80%
- Dimensions : 430 (W) x 93 (H) x 322 (D) mm (16-15/16" x 3-11/16" x 12-11/16") (excluding the handle for rack mounting)
- Weight : 4.9 kg (10.8 lbs.)
- Accessories : Handle set x 1
- Supplied documentation : Instruction manual x 1
Warranty card x 1
Service center information x 1

TECHNICAL AND SERVICE ASSISTANCE

JVC offers technical and customer service assistance. Please contact us at the following address.

JVC PROFESSIONAL PRODUCTS (UK) LIMITED
ULLswater House, Kendel Avenue, London W3 OXA,
United Kingdom
TEL: (0181) 896-6000
FAX: (0181) 896-6060

JVC PROFESSIONAL PRODUCTS GmbH
Grüner Weg 10, 61169 Fiedberg/Hessen, Germany
TEL: (06031) 6050
FAX: (06031) 605180

JVC


VICTOR COMPANY OF JAPAN, LIMITED
VIDEO DIVISION

S40894

SECTION 4 CHARTS AND DIAGRAMS

NOTES OF SCHEMATIC DIAGRAM

Safety precautions

The Components identified by the symbol  are critical for safety. For continued safety, replace safety critical components only with manufacturer's recommended parts.

1. Units of components on the schematic diagram

Unless otherwise specified.

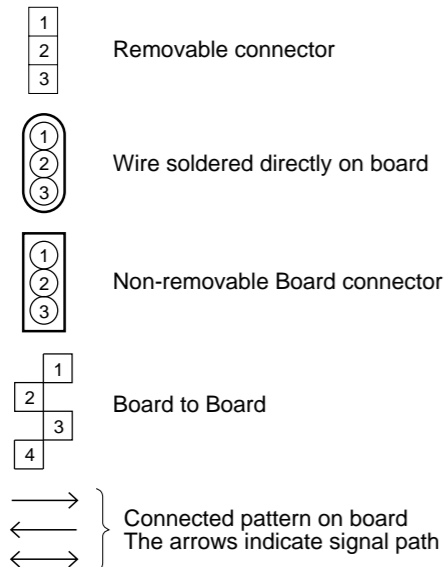
- 1) All resistance values are in ohm, 1/6 W, 1/8 W (refer to parts list).
Chip resistors are 1/16 W.
K: KΩ (1000Ω), M: MΩ (1000KΩ)
- 2) All capacitance values are in μF, (P: PF).
- 3) All inductance values are in μH, (m: mH).
- 4) All diodes are 1SS133, MA165 or 1N4148M (refer to parts list).

2. Indications of control voltage

AUX : Active at high

$\overline{\text{AUX}}$ or AUX(L) : Active at low

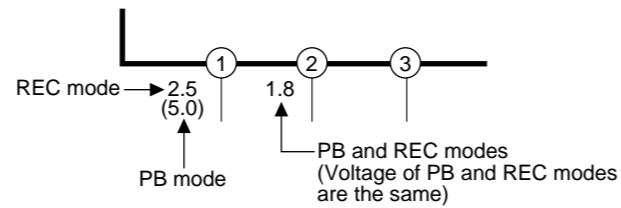
3. Interpreting Connector indications



4. Voltage measurement

- 1) Video circuits
REC : Colour bar signal in SP mode, normal VHS mode
PB : Alignment tape, colour bar SP mode, normal VHS mode
— : Unmeasurable or unnecessary to measure
- 2) Audio circuits
REC : 1KHz, -8 dBs sine wave signal in SP mode, Normal VHS mode
PB : REC then playback it
- 3) Movie Camera circuits
Measured using a correctly illuminated gray scale or colour bar test charts in the E-E mode

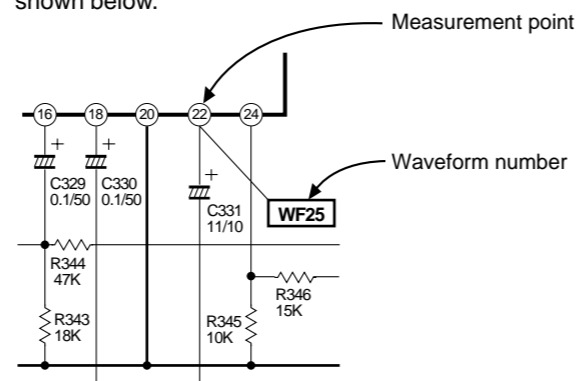
- 4) Indication on schematic diagram
Voltage Indications for REC and PB mode on the schematic diagram are as shown below.



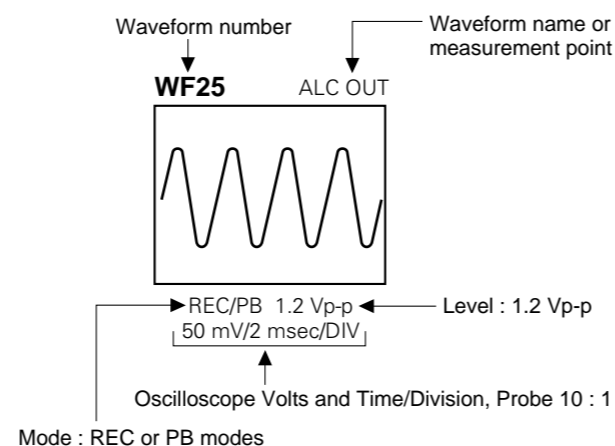
Note: If the voltages are not indicated on the schematic diagram, refer to the voltage charts.

5. Waveform measurement

- 1) Video circuits
REC : Colour bar signal in SP mode, normal VHS mode
PB : Alignment tape, colour bar SP mode, normal VHS mode
- 2) Audio circuits
REC : 1KHz, -8 dBs sine wave signal in SP mode, normal VHS mode
PB : REC then playback it
- 3) Movie Camera circuits
Measured using a correctly illuminated gray scale or colour bar test charts in the E-E mode
- 4) Indication on schematic diagram
Waveform indications on the schematic diagram are as shown below.

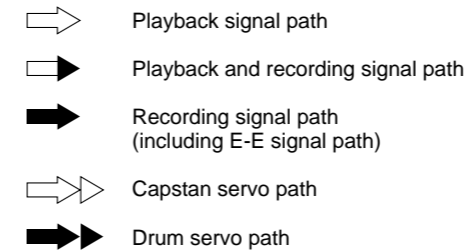


5) Waveform indications

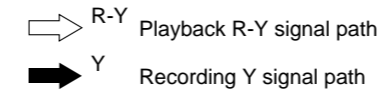


6. Signal path Symbols

The arrows indicate the signal path as follows.

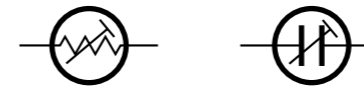


(Example)



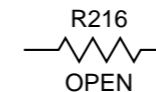
7. Indication of the parts for adjustments

The parts for the adjustments are surrounded with the circle as shown below.



8. Indication of the parts not mounted on the circuit board

"OPEN" is indicated by the parts not mounted on the circuit board.



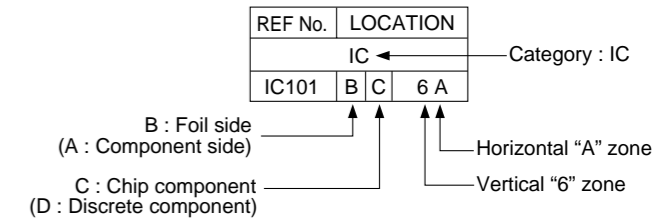
CIRCUIT BOARD NOTES

1. Foil and Component sides

- 1) Foil side (B side) :
Parts on the foil side seen from foil face (pattern face) are indicated.
- 2) Component side (A side) :
Parts on the component side seen from component face (parts face) indicated.

2. Parts location guides

Parts location are indicated by guide scale on the circuit board.



Note:

For general information in service manual, please refer to the Service Manual of GENERAL INFORMATION Edition 4 No. 82054D (January 1994).

4.1 BOARD INTERCONNECTIONS

NOTE) *: The number of patch cords are indicated by interconnections.

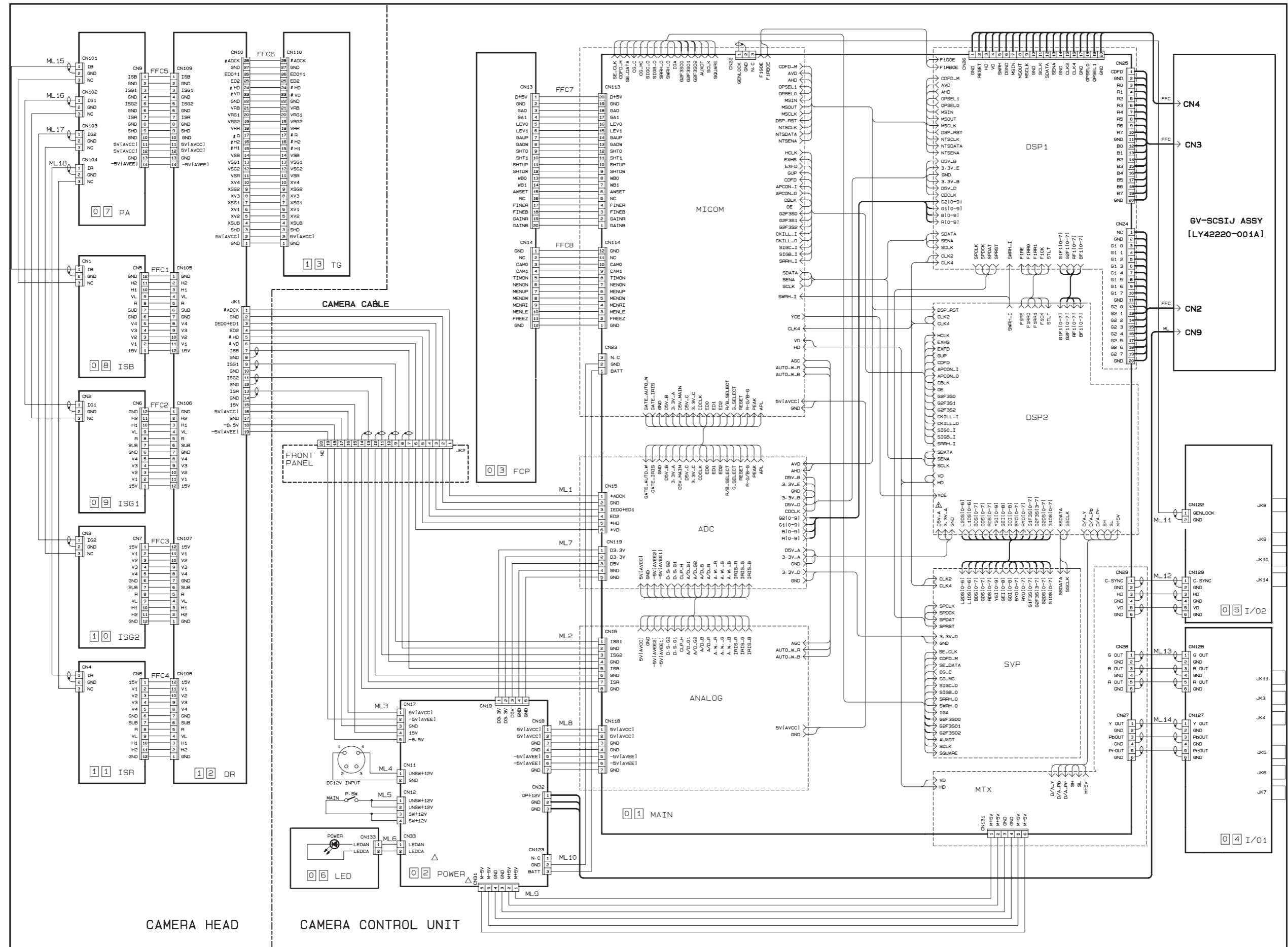
5

4

3

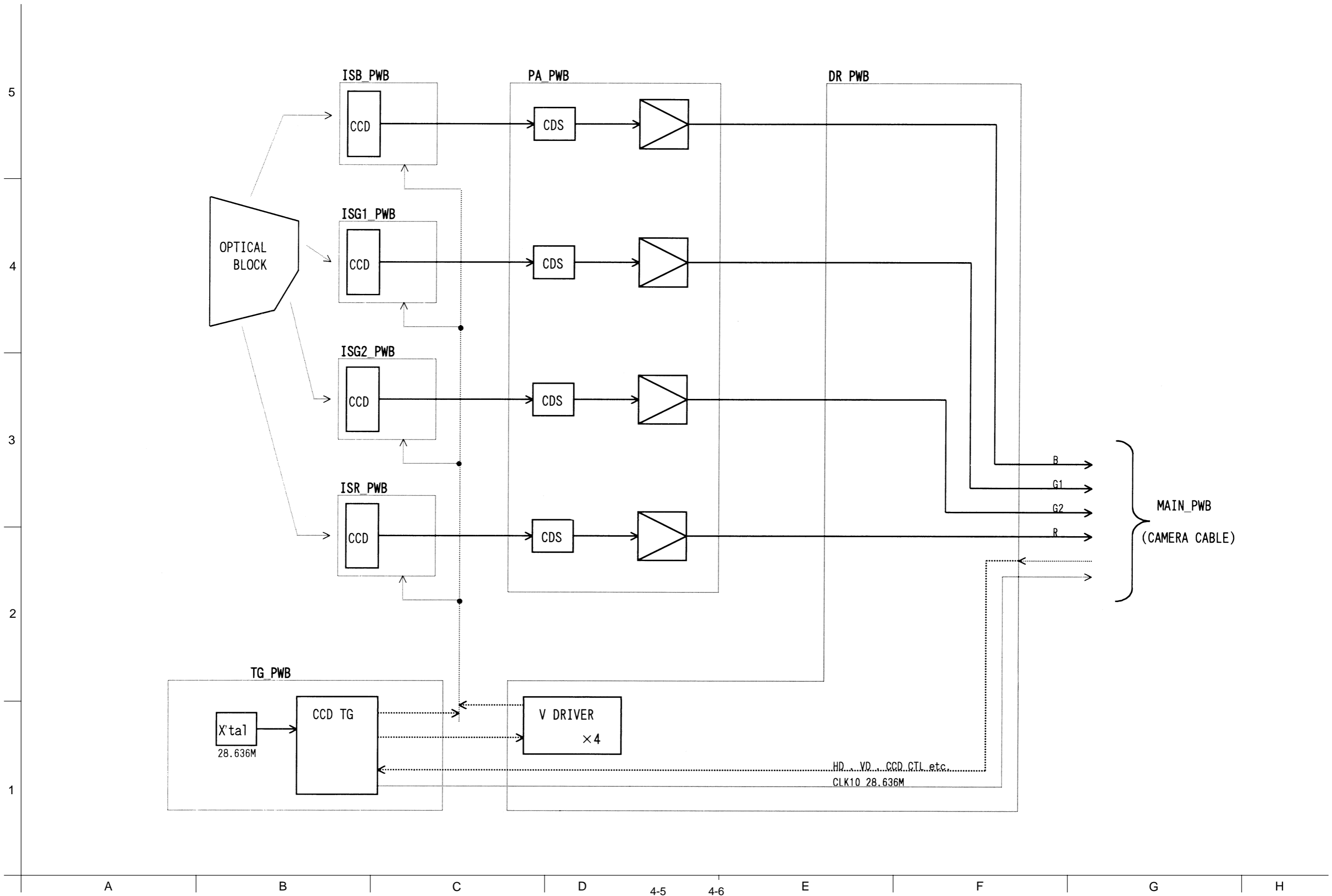
2

1

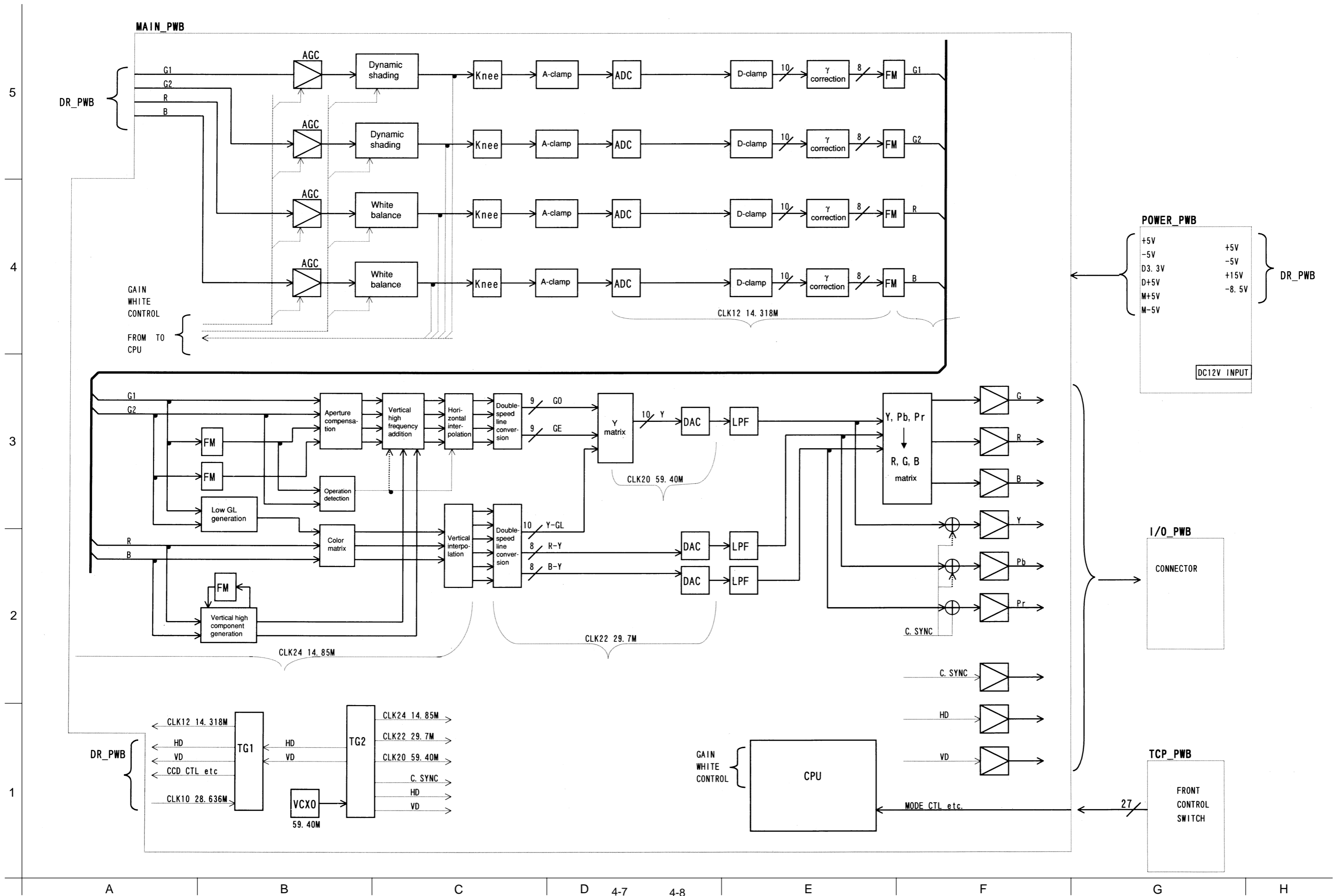


A B C D 4-3 4-4 E F G H

4.2 CAMERA UNIT SCHEMATIC DIAGRAM

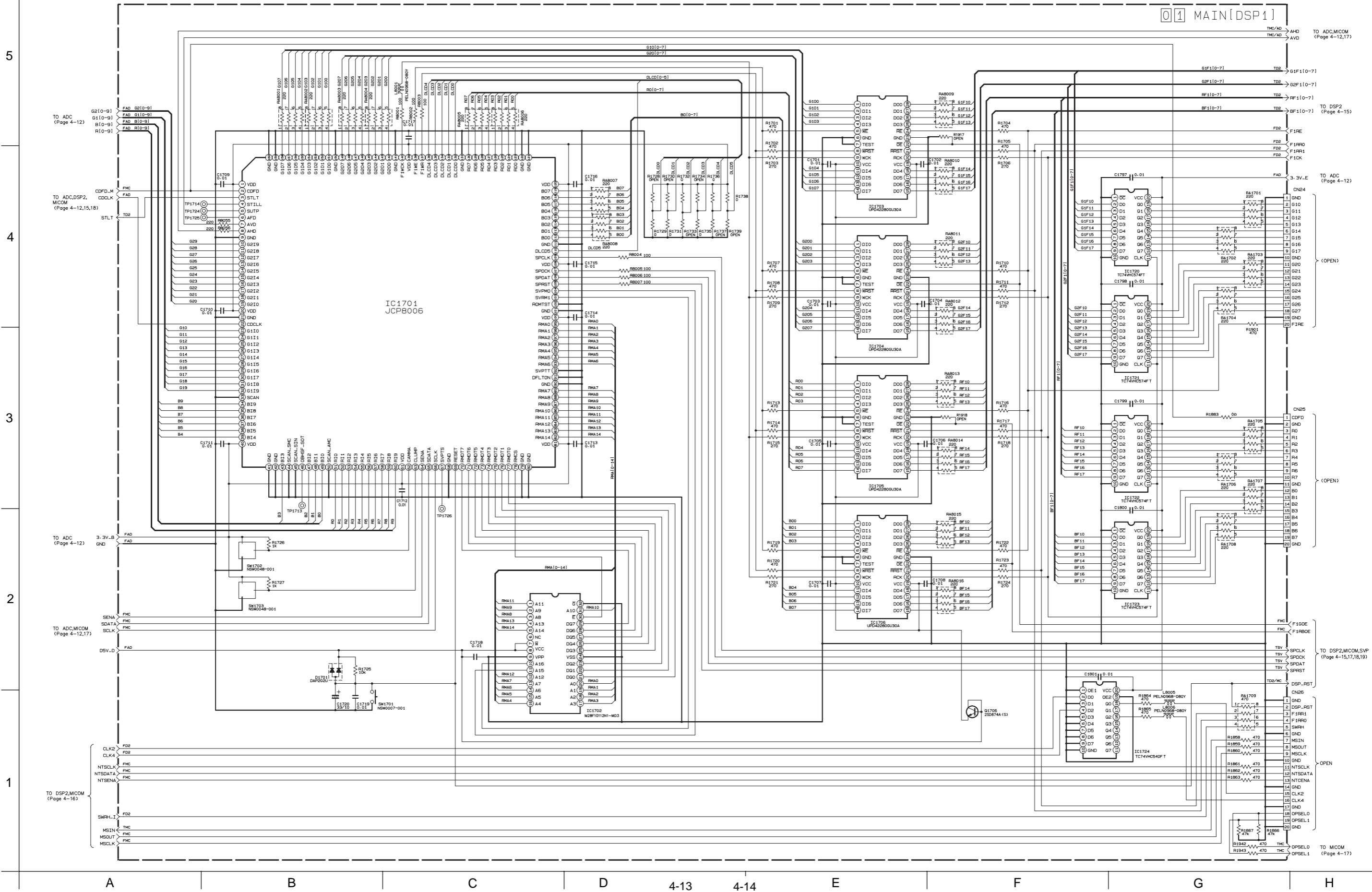


4.3 CCD SCHEMATIC DIAGRAM



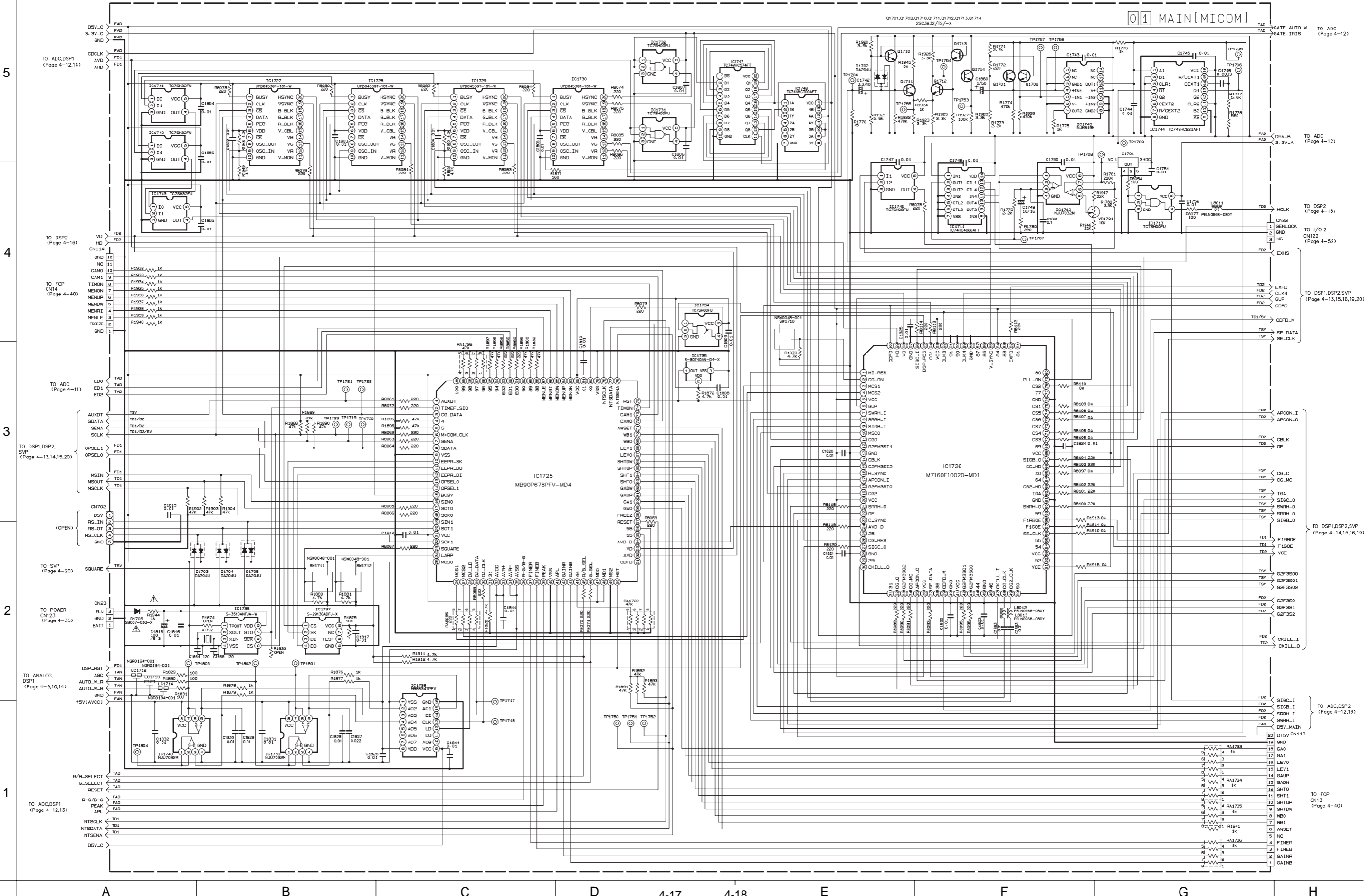
4.6 DSP1 SCHEMATIC DIAGRAM

Note : The Parts Number, value and rated voltage etc. in the Schematic Diagram are for references only. When replacing the parts, refer to the Parts List.



4.8 MICOM SCHEMATIC DIAGRAM

Note : The Parts Number, value and rated voltage etc. in the Schematic Diagram are for references only. When replacing the parts, refer to the Parts List.



5

4

3

2

1

A

B

C

D

4-17

4-18

E

F

G

H

01 MAIN[MICOM]

TO ADC,DSP1
(Page 4-12,14)

TO DSP2
(Page 4-16)

TO FCP
CN14
(Page 4-40)

TO ADC
(Page 4-11)

TO DSP1,DSP2,
SVP
(Page 4-13,14,15,20)

TO SVP
(Page 4-20)

TO POWER
CN123
(Page 4-35)

TO ANALOG,
DSP1
(Page 4-9,10,14)

TO ADC,DSP1
(Page 4-12,13)

TO ADC
(Page 4-12)

TO ADC
(Page 4-12)

TO DSP2
(Page 4-15)

TO I/O 2
CN122
(Page 4-52)

TO DSP1,DSP2,SVP
(Page 4-13,15,16,19,20)

TO DSP1,DSP2,SVP
(Page 4-14,15,16,19)

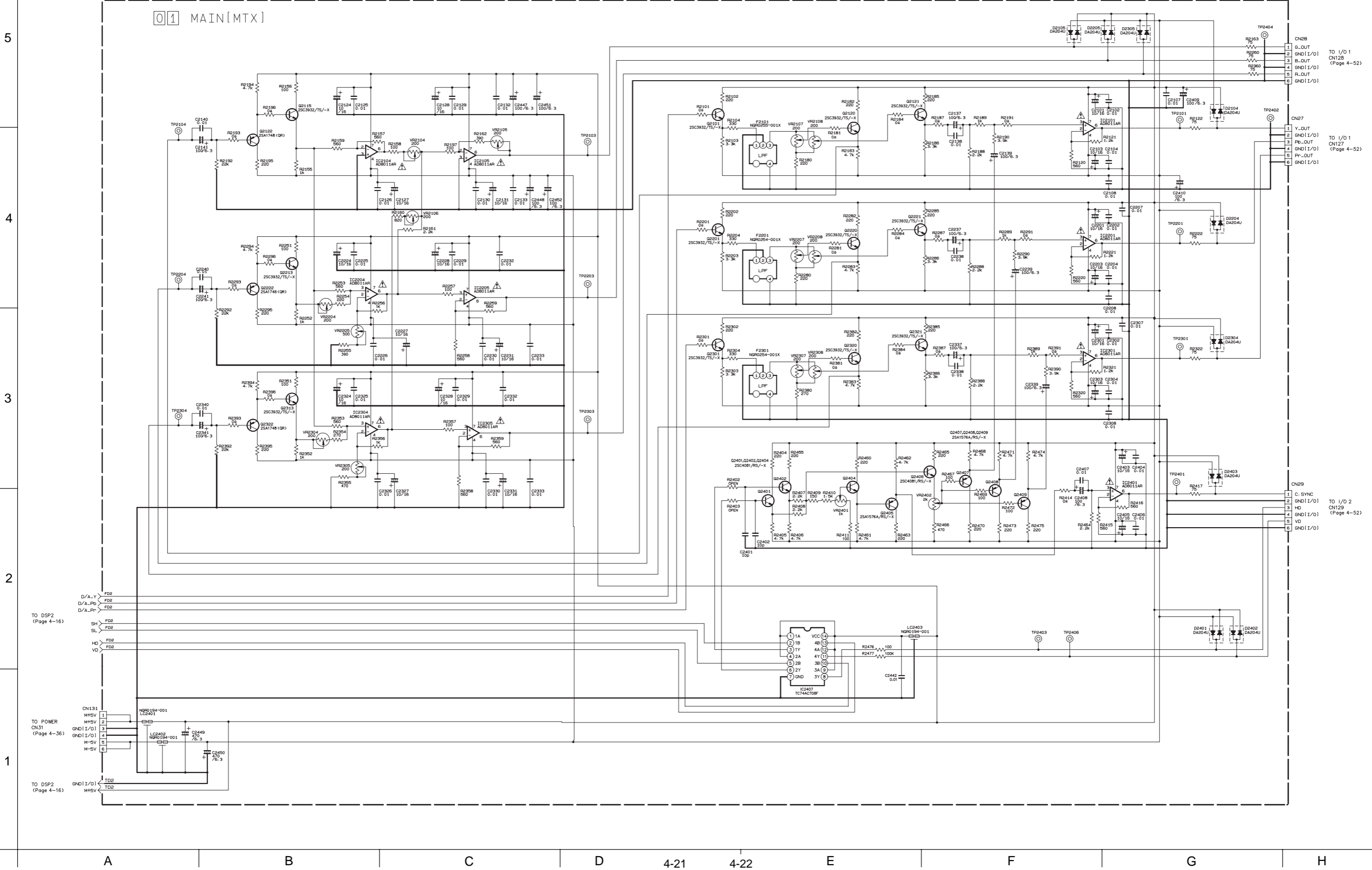
TO ADC,DSP2
(Page 4-12,16)

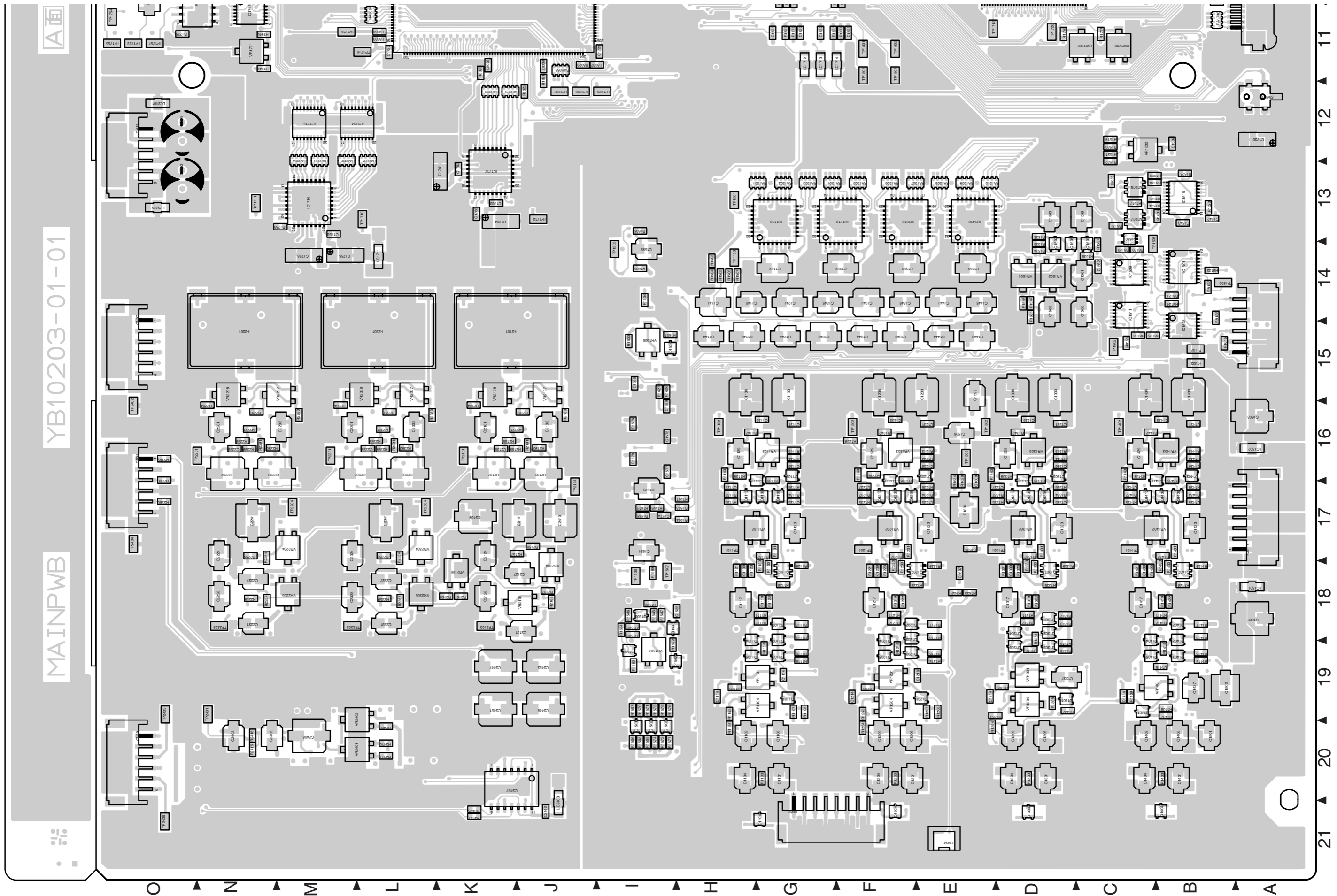
TO FCP
CN13
(Page 4-40)

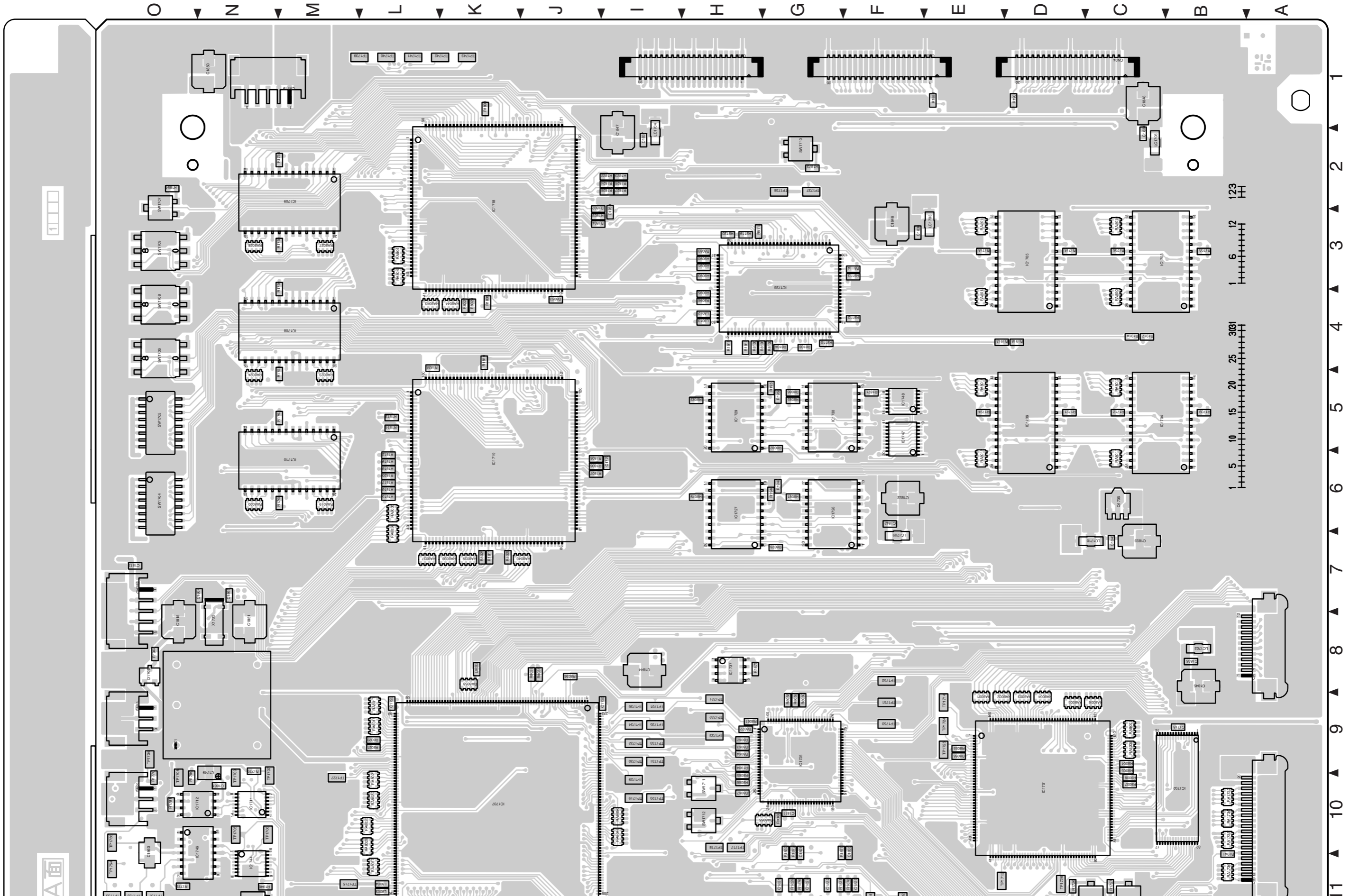
TO FCP
CN13
(Page 4-40)

4.10 MTX SCHEMATIC DIAGRAM

Note : The Parts Number, value and rated voltage etc. in the Schematic Diagram are for references only. When replacing the parts, refer to the Parts List.







COMPONENT PARTS LOCATION GUIDE (MAIN PWB)

REF.No.	LOCATION	REF.No.	LOCATION	REF.No.	LOCATION	REF.No.	LOCATION	REF.No.	LOCATION	REF.No.	LOCATION	REF.No.	LOCATION
CAPACITOR													
C1101	A C 20G	C1227	A C 17F	C1352	A C 14F	C1560	A C 13D	C1729	A C 11I	C1809	B C 8G	C2224	A C 17N
C1102	B C 20G	C1228	B C 16F	C1353	B C 14F	C1561	A C 14C	C1730	B C 10J	C1810	B C 9G	C2225	B C 17N
C1103	B C 20H	C1229	A C 16F	C1354	B C 14F	C1562	A C 14C	C1731	B C 11J	C1811	A C 10G	C2226	B C 18M
C1104	A C 20H	C1230	A C 15E	C1401	A C 20B	C1563	B C 14D	C1732	B C 11K	C1812	B C 10H	C2227	A C 18N
C1105	B C 20G	C1231	A C 16E	C1402	B C 20B	C1564	B C 14C	C1733	B C 10J	C1813	A C 7O	C2228	A C 18N
C1106	A C 20G	C1232	B C 16E	C1403	B C 20C	C1565	A C 14D	C1734	B C 9J	C1814	B C 11H	C2229	B C 18N
C1107	B C 20G	C1233	B C 16F	C1404	A C 20C	C1566	A C 14C	C1735	A C 9I	C1815	A C 8O	C2230	B C 18M
C1108	B C 20H	C1234	A C 15F	C1405	B C 20B	C1567	B C 14D	C1736	B C 4N	C1816	B C 8O	C2231	A C 18N
C1109	A C 20H	C1235	A C 16F	C1406	A C 20B	C1568	B C 15C	C1737	B C 4N	C1817	B C 8H	C2232	B C 19L
C1110	B C 19H	C1236	B C 13F	C1407	B C 20B	C1569	B C 14B	C1738	B C 2N	C1820	B C 3G	C2233	B C 19N
C1111	B C 19G	C1238	B C 17E	C1408	B C 20C	C1570	B C 14B	C1739	B C 3N	C1821	B C 3G	C2237	A C 16N
C1112	B C 19H	C1239	A C 18F	C1409	A C 20C	C1571	B C 16E	C1740	B C 5N	C1822	B C 3H	C2238	A C 16N
C1113	B C 19H	C1240	A C 15G	C1410	B C 19C	C1572	B C 15E	C1741	B C 6N	C1823	B C 4H	C2239	A C 16N
C1114	A C 19H	C1241	A C 14G	C1411	B C 19B	C1573	A C 17I	C1742	B C 10O	C1824	B C 3G	C2240	B C 17N
C1115	B C 19G	C1242	B C 15G	C1412	B C 19C	C1574	A C 17I	C1743	B C 11N	C1825	B C 3G	C2241	A C 17N
C1116	A C 19G	C1243	B C 14G	C1413	B C 19C	C1575	A C 16I	C1744	B C 10N	C1826	B C 11H	C2301	A C 16M
C1117	A C 18H	C1244	A C 15G	C1414	A C 19C	C1576	A C 16I	C1745	B C 10N	C1827	A C 11G	C2302	B C 16L
C1118	B C 18H	C1245	A C 14G	C1415	B C 19B	C1577	A C 16I	C1746	B C 11N	C1828	A C 11G	C2303	A C 16L
C1119	B C 18G	C1246	B C 14G	C1416	A C 19B	C1578	A C 16I	C1747	B C 10N	C1829	A C 11F	C2304	B C 16L
C1120	B C 18H	C1247	B C 13G	C1417	A C 18C	C1579	B C 19I	C1748	B C 10N	C1830	A C 11F	C2307	B C 16L
C1121	B C 17G	C1248	B C 14F	C1418	B C 18C	C1580	B C 19I	C1749	A C 10N	C1831	A C 11G	C2308	B C 16L
C1122	B C 17H	C1249	B C 14F	C1419	B C 18B	C1581	B C 19I	C1750	B C 10O	C1832	A C 11G	C2324	A C 17M
C1123	A C 17G	C1250	B C 14F	C1420	B C 18C	C1582	A C 18I	C1751	B C 8O	C1834	B C 8I	C2325	B C 17L
C1124	B C 15G	C1251	B C 13F	C1421	B C 17B	C1583	B C 18I	C1752	B C 9N	C1835	A C 8B	C2326	B C 18L
C1125	A C 17G	C1252	A C 14F	C1422	B C 17C	C1584	A C 17I	C1753	B C 12L	C1836	A C 3F	C2327	A C 18L
C1126	A C 16G	C1253	B C 14G	C1423	A C 17B	C1585	A C 18I	C1754	B C 12M	C1837	A C 2I	C2328	A C 18M
C1127	A C 17H	C1254	B C 14G	C1424	B C 15B	C1586	B C 18I	C1755	A C 14M	C1838	A C 2C	C2329	B C 18L
C1128	B C 16H	C1301	A C 20D	C1425	A C 17B	C1587	B C 17I	C1756	A C 13M	C1840	B C 1O	C2330	B C 18L
C1129	A C 16H	C1302	B C 20D	C1426	A C 16B	C1588	A C 15I	C1757	B C 13M	C1841	B C 8N	C2331	A C 18L
C1130	A C 15G	C1303	B C 20D	C1427	A C 17C	C1589	A C 16I	C1758	A C 14M	C1842	A C 6F	C2332	B C 19N
C1131	A C 16G	C1304	A C 20D	C1428	B C 16C	C1590	B C 15I	C1759	B C 13M	C1843	A C 7C	C2333	B C 19L
C1132	B C 16G	C1305	B C 20D	C1429	A C 16C	C1591	B C 15I	C1760	B C 13M	C1844	A C 8I	C2337	A C 16L
C1133	B C 16H	C1306	A C 20D	C1430	A C 15B	C1592	B C 14I	C1761	A C 13K	C1845	A C 8B	C2338	A C 16L
C1134	A C 15H	C1307	B C 20D	C1431	A C 16B	C1593	A C 14I	C1762	A C 13K	C1846	A C 3F	C2339	A C 16L
C1135	A C 16G	C1308	B C 20D	C1432	B C 16B	C1594	B C 14I	C1763	A C 13K	C1847	A C 2I	C2340	B C 17L
C1136	B C 13G	C1309	A C 20D	C1433	B C 16C	C1595	B C 14I	C1764	A C 13K	C1848	A C 1C	C2341	A C 17L
C1138	B C 17G	C1310	B C 19E	C1434	A C 15C	C1596	B C 13I	C1765	B C 13K	C1850	A C 1N	C2401	B C 20L
C1139	A C 18H	C1311	B C 19D	C1435	A C 16B	C1597	B C 20I	C1766	A C 13K	C1851	A C 8N	C2402	B C 20K
C1140	A C 15H	C1312	B C 19D	C1436	B C 13E	C1598	A C 16E	C1767	B C 13K	C1852	A C 6F	C2403	A C 20N
C1141	A C 14H	C1313	B C 19D	C1437	A C 19B	C1599	A C 15E	C1768	B C 13K	C1853	A C 7C	C2404	B C 20N
C1142	B C 15H	C1314	A C 19E	C1438	B C 17B	C1602	A C 18A	C1769	A C 3I	C1854	B C 7G	C2405	A C 20N
C1143	B C 14H	C1315	B C 19D	C1439	A C 18C	C1603	A C 16A	C1770	A C 6I	C1855	B C 7G	C2406	B C 20N
C1144	A C 15H	C1316	A C 19D	C1440	A C 15E	C1604	B C 13C	C1771	B C 2L	C1856	B C 6G	C2407	B C 20M
C1145	A C 14H	C1317	A C 18D	C1441	A C 14E	C1605	B C 13C	C1772	B C 3L	C1857	B C 9J	C2408	A C 20M
C1146	B C 14G	C1318	B C 18D	C1442	B C 15E	C1606	A C 17E	C1773	B C 3L	C1858	B C 7J	C2409	A C 17K
C1147	B C 13H	C1319	B C 18D	C1443	A C 14E	C1607	A C 18E	C1774	B C 4K	C1859	B C 13K	C2410	A C 17J
C1148	B C 14G	C1320	B C 18D	C1444	A C 15E	C1608	A C 17E	C1775	B C 4K	C1860	A C 11O	C2442	A C 21J
C1149	B C 14G	C1321	B C 17D	C1445	A C 14E	C1609	A C 17E	C1776	B C 4J	C1861	A C 10N	C2447	A C 19K
C1150	B C 14G	C1322	B C 17D	C1446	B C 14E	C1610	B C 15C	C1777	B C 3J	C1862	B C 4H	C2448	A C 19J
C1151	B C 13G	C1323	A C 17D	C1447	B C 13E	C1611	B C 15D	C1778	B C 3J	C1863	B C 4H	C2450	A D 13O
C1152	A C 14G	C1324	B C 15D	C1448	B C 14E	C1612	B C 15D	C1779	B C 2J	C1864	A C 7N	C2451	A C 19K
C1153	B C 14H	C1325	A C 17D	C1449	B C 14E	C1613	B C 15D	C1780	B C 2J	C1865	A C 7N	C2452	A C 19J
C1154	B C 14H	C1326	A C 16D	C1450	B C 14E	C1614	B C 15D	C1781	B C 2J	C2101	A C 16K	CONNECTOR	
C1201	A C 20F	C1327	A C 17D	C1451	B C 13E	C1615	B C 15D	C1782	B C 2K	C2102	B C 16K	CN15	A C 15A
C1202	B C 20E	C1328	B C 16D	C1452	A C 14E	C1616	A C 17E	C1783	B C 2K	C2103	A C 16J	CN16	A C 21G
C1203	B C 20F	C1329	A C 16D	C1453	B C 14E	C1617	B C 15E	C1784	B C 5L	C2104	B C 16J	CN22	A C 10O
C1204	A C 20F	C1330	A C 15D	C1454	B C 14E	C1618	B C 15E	C1785	B C 6L	C2107	B C 16K	CN23	A C 9O
C1205	B C 20E	C1331	A C 16D	C1455	A C 14E	C1619	B C 15E	C1786	B C 6L	C2108	B C 16J	CN24	A C 1C
C1206	A C 20F	C1332	B C 16D	C1456	B C 14E	C1620	B C 15E	C1787	B C 7K	C2124	A C 17K	CN25	A C 1E
C1207	B C 20E	C1333	B C 16D	C1457	B C 14E	C1621	B C 15E	C1788	B C 7K	C2125	B C 17K	CN26	A C 1H
C1208	B C 20F	C1334	A C 15D	C1458	B C 14E	C1622	B C 15E	C1789	B C 6J	C2126	B C 18J	CN27	A C 15O
C1209	A C 20F	C1335	A C 16D	C1459	B C 14E	C1623	B C 15E	C1790	B C 6J	C2127	A C 18J	CN28	A C 16O
C1210	B C 19F	C1336	B C 13F	C1460	B C 14E	C1624	B C 15E	C1791	B C 6J	C2128	A C 18K	CN29	A C 20O
C1211	B C 19E	C1337	A C 19D	C1461	B C 14E	C1625	B C 15E	C1792	B C 6J	C2129	B C 18K	CN34	A D 21E
C1212	B C 19F	C1338	A C 17D	C1462	B C 14E	C1626	B C 15E	C1793	B C 5J	C2130	B C 18J	CN113	A C 11A
C1213	B C 19F	C1339	A C 18D	C1463	B C 14E	C1627	B C 15E	C1794	B C 5J	C2131	A C 18J	CN114	A C 8A
C1214	A C 19F	C1340	A C 15F	C1464	B C 14E	C1628	B C 15E	C1795	B C 5J	C2132	B C 19K	CN118	A C 17A
C1215	B C 19F	C1341	A C 14F	C1465	B C 14E	C1629	B C 15E	C1796	B C 5J	C2133	B C 19J	CN119	A C 1M
C1216	A C 19E	C1342	B C 15F	C1466	B C 14E	C1630	B C 15E	C1797	B C 5J	C2137	A C 16K	CN131	A C 12O
C1217	A C 18F	C1343	B C 14F	C1467	B C 14E	C1631	B C 15E	C1798	B C 5J	C2138	A C 16K	CN702	A C 7O
C1218	B C 18F	C1344	A C 15F	C1468	B C 14E	C1632	B C 15E	C1799	B C 5J	C2139	A C 16J	DIODE	
C1219	B C 18E	C1345	A C 14F	C1469	B C 14E	C1633	B C 15E	C1800	B C 5J	C2140	B C 17J	D1101	B C 19G
C1220	B C 18F	C1346	B C 14F	C1470	B C 14E	C1634	B C 15E	C1801	B C 5J	C2141	A C 17J	D1102	A C 18G
C1221	B C 17E	C1347	B C 13F	C1471	B C 14E	C1635	B C 15E	C1802	B C 5J	C2142	A C 17J	D1103	A C 16G
C1222	B C 17F	C1348	B C 14F	C1472	B C 14E	C1636	B C 15E	C1803	B C 5J	C2143	A C 17J	D1104	A C 21G
C1223	A C 17E	C1349	B C 14F	C1473	B C 14E	C1637	B C 15E	C1804	B C 5J	C2144	A C 17J	D1201	B C 19F
C1224	B C 15E	C1350	B C 14E	C1474	B C 14E	C1638	B C 15E	C1805	B C 5J	C2145	A C 17J	D1202	A C 18F
C1225	A C 17E	C1351	B C 13F	C1475	B C 14E	C1639	B C 15E	C1806	B C 5J	C2146	A C 17J		

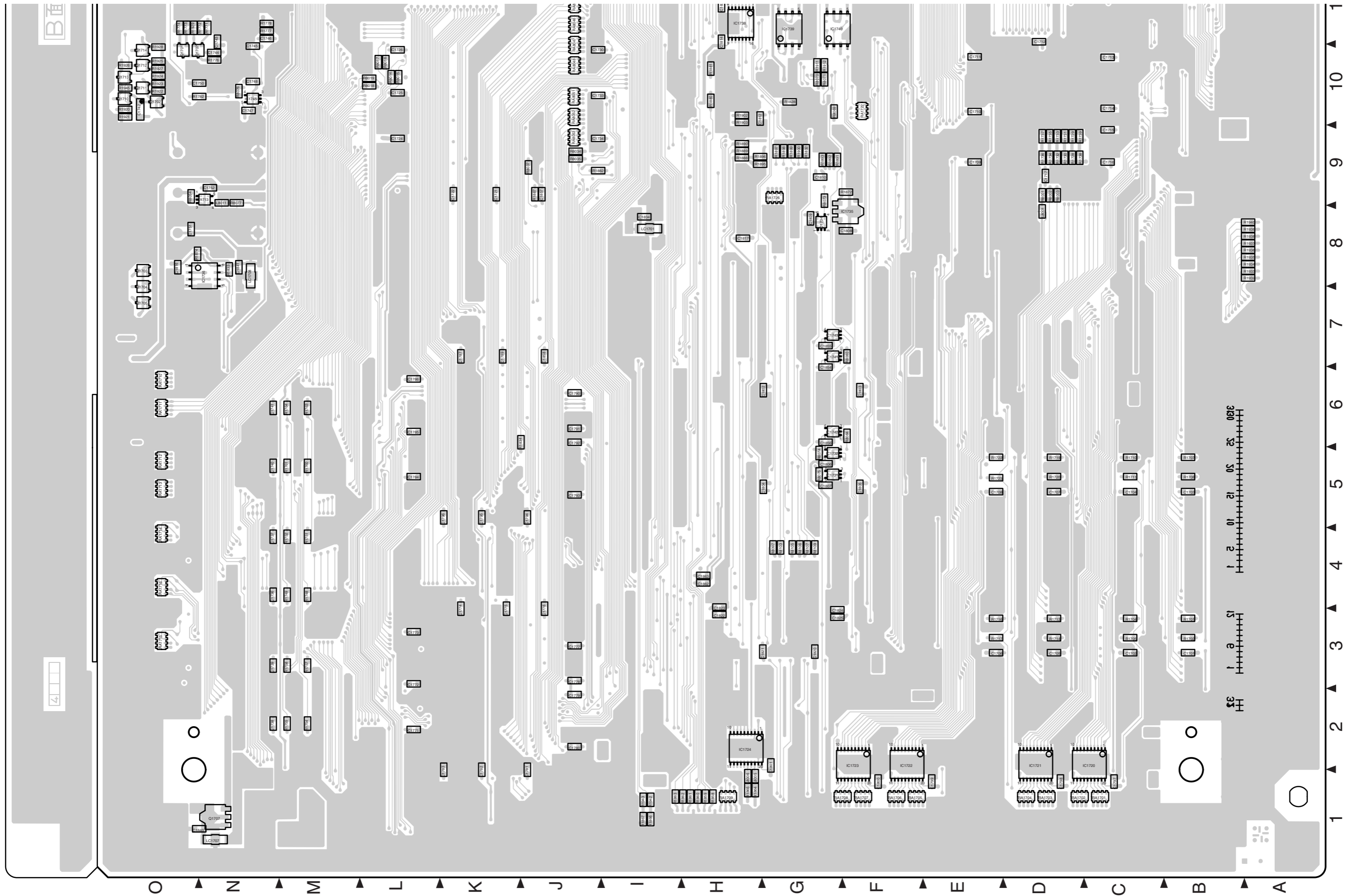
REF.No.	LOCATION	REF.No.	LOCATION	REF.No.	LOCATION	REF.No.	LOCATION	REF.No.	LOCATION	REF.No.	LOCATION	REF.No.	LOCATION		
D1203	A C 16E	IC1513	B C 14D	NOISE FILTER				Q1407	A C 18B	R1126	B C 17H	R1302	B C 21D	R1425	B C 18B
D1204	A C 21F	IC1514	B C 14D	L8001	B C 8D	Q1408	A C 17B	R1127	B C 17G	R1303	A C 20D	R1426	B C 17C		
D1301	B C 19D	IC1515	B C 12C	L8002	A C 8K	Q1409	A C 17B	R1128	B C 18G	R1304	B C 20D	R1427	B C 17B		
D1302	A C 18D	IC1516	A C 13B	L8003	A C 11L	Q1410	A C 17C	R1129	A C 18G	R1305	B C 19E	R1428	A C 18B		
D1303	A C 16D	IC1517	A C 13C	L8004	A C 11L	Q1411	A C 17C	R1130	A C 18G	R1306	B C 19E	R1429	A C 18B		
D1304	A C 21D	IC1518	A C 13C	L8005	B C 1H	Q1412	B C 17C	R1131	A C 17G	R1307	A C 19D	R1430	A C 18B		
D1401	B C 19B	IC1519	B C 16E	L8006	B C 1H	Q1501	A C 20I	R1132	A C 17G	R1308	A C 19D	R1431	A C 17B		
D1402	A C 18B	IC1520	B C 17I	L8007	A C 11J	Q1502	A C 20I	R1133	A C 18G	R13					

REF.No.	LOCATION	REF.No.	LOCATION	REF.No.	LOCATION	REF.No.	LOCATION	REF.No.	LOCATION	REF.No.	LOCATION	REF.No.	LOCATION	REF.No.	LOCATION
R1561	A C 17H	R1702	B C 3B	R1797	B C 10H	R1902	B C 10H	R2203	B C 14N	R2460	B C 20M	R8082	A C 5G		
R1562	A C 17H	R1703	A C 3B	R1798	B C 13J	R1903	B C 10H	R2204	B C 14N	R2461	B C 20M	R8083	A C 5H		
R1563	A C 17H	R1704	B C 3C	R1799	B C 14M	R1904	A C 9H	R2220	B C 16M	R2462	B C 20M	R8084	B C 6F		
R1564	A C 17I	R1705	B C 3C	R1800	B C 14M	R1910	A C 4H	R2221	A C 16N	R2463	B C 20M	R8085	A C 5G		
R1565	A C 17I	R1706	A C 3C	R1801	B C 13K	R1911	B C 10G	R2222	B C 16N	R2464	B C 20N	R8086	A C 5G		
R1566	A C 20I	R1707	B C 5B	R1802	A C 3J	R1912	B C 10G	R2251	B C 17N	R2465	B C 19L	R8089	A C 3H		
R1567	A C 19I	R1708	B C 5B	R1803	A C 3J	R1913	A C 4E	R2252	B C 17M	R2466	A C 20L	R8090	A C 3H		
R1568	A C 20I	R1709	A C 5B	R1804	A C 3J	R1914	A C 4C	R2253	B C 18M	R2467	B C 20L	R8091	A C 3H		
R1569	A C 20I	R1710	B C 5C	R1805	A C 6J	R1915	A C 4H	R2254	A C 17N	R2468	B C 19L	R8093	A C 3H		
R1570	A C 19I	R1711	B C 5C	R1806	A C 6J	R1916	B C 13K	R2255	B C 18N	R2469	B C 20M	R8095	A C 4H		
R1571	A C 19I	R1712	A C 5C	R1807	A C 6J	R1917	A C 4C	R2256	A C 17N	R2470	B C 20L	R8096	A C 4H		
R1572	A C 20I	R1713	B C 3D	R1808	A C 1K	R1918	A C 4D	R2257	A C 18N	R2471	B C 20M	R8097	B C 4G		
R1573	A C 19I	R1714	B C 3D	R1809	A C 4K	R1919	B C 13M	R2258	B C 18M	R2472	B C 20M	R8100	A C 4H		
R1574	A C 20I	R1715	A C 3D	R1810	A C 4K	R1920	B C 10O	R2259	A C 18N	R2473	B C 20M	R8101	A C 4H		
R1575	A C 19I	R1716	B C 3E	R1811	A C 7K	R1921	B C 10O	R2260	A C 17O	R2474	B C 20M	R8102	A C 4G		
R1576	A C 19I	R1717	B C 3E	R1812	A C 6L	R1922	B C 10O	R2280	A C 16M	R2475	B C 20M	R8103	B C 4G		
R1577	A C 20I	R1718	A C 3E	R1813	A C 5L	R1923	B C 10O	R2281	A C 16N	R2476	A C 21K	R8104	A C 4G		
R1578	B C 19I	R1719	B C 5D	R1814	A C 5L	R1924	B C 10O	R2282	B C 16N	R2477	A C 21K	R8105	B C 4G		
R1579	B C 19I	R1720	B C 5D	R1815	A C 6L	R1925	B C 10O	R2283	B C 16N	R2478	B C 20L	R8106	B C 4G		
R1580	B C 19I	R1721	A C 5D	R1816	A C 6L	R1926	B C 10O	R2284	A C 16N	R2479	B C 20K	R8107	B C 4G		
R1581	B C 19I	R1722	B C 5E	R1817	A C 6L	R1927	B C 10O	R2285	B C 16N	R8001	B C 9D	R8108	A C 4G		
R1582	A C 19I	R1723	B C 5E	R1818	A C 6L	R1928	B C 10O	R2286	B C 16N	R8002	B C 9D	R8109	B C 4G		
R1583	A C 18I	R1724	A C 5E	R1819	A C 6L	R1929	B C 11O	R2287	B C 16N	R8003	B C 9D	R8110	A C 4G		
R1584	A C 18I	R1725	B C 12A	R1820	A C 6L	R1932	B C 8A	R2288	A C 16N	R8004	A C 9C	R8112	A C 4F		
R1585	A C 18I	R1726	A C 11D	R1821	A C 12J	R1933	B C 8A	R2289	A C 16N	R8005	A C 9C	R8113	A C 3F		
R1586	A C 18I	R1727	A C 11C	R1822	A C 2I	R1934	B C 8A	R2290	A C 16N	R8006	A C 10C	R8114	A C 3F		
R1587	A C 18I	R1728	B C 9D	R1823	A C 2I	R1935	B C 8A	R2291	A C 16N	R8007	A C 10C	R8118	A C 3H		
R1588	A C 18I	R1729	B C 9D	R1824	A C 2I	R1936	B C 8A	R2292	B C 17N	R8014	B C 10L	R8119	A C 3H		
R1589	A C 18I	R1730	B C 9D	R1825	A C 2I	R1937	B C 8A	R2293	B C 17M	R8015	B C 10L	R8120	A C 3H		
R1590	B C 18I	R1731	B C 9D	R1826	A C 2I	R1938	B C 8A	R2294	B C 17N	R8016	B C 10L	R8121	A C 14B		
R1591	B C 19H	R1732	B C 9D	R1827	A C 2I	R1939	B C 8A	R2295	B C 17N	R8017	B C 10L	R8122	A C 14B		
R1592	A C 19I	R1733	B C 9D	R1828	B C 10G	R1940	B C 8A	R2296	B C 17M	R8018	B C 10L	R8123	A C 14B		
R1593	B C 19I	R1734	B C 9D	R1829	A C 11G	R1941	A C 11B	R2301	B C 14M	R8019	B C 10L	R8124	A C 14B		
R1594	B C 17H	R1735	B C 9D	R1830	A C 11G	R1942	B C 1I	R2302	B C 15M	R8020	A C 9L	R8125	B C 14B		
R1595	B C 18H	R1736	B C 9D	R1831	A C 11G	R1943	B C 1I	R2303	B C 14L	R8021	A C 9L	R8126	A C 15C		
R1596	B C 15I	R1737	B C 9D	R1832	B C 9G	R1944	A C 8O	R2304	B C 14M	R8022	A C 12J	R8127	B C 14B		
R1597	B C 15I	R1738	B C 9D	R1833	B C 8N	R1945	B C 10O	R2320	B C 16L	R8023	A C 11K	R8128	A C 14B		
R1598	B C 15I	R1739	B C 9D	R1834	B C 6K	R1946	A C 11N	R2321	A C 16L	R8025	A C 7K	R8129	A C 14C		
R1599	B C 15I	R1748	B C 4M	R1835	A C 4L	R1947	A C 11N	R2322	B C 16L	R8026	A C 7K	R8130	A C 14C		
R1600	A C 15I	R1749	B C 4M	R1858	B C 1H	R1948	A C 6G	R2351	B C 17L	R8027	A C 4K	R8131	A C 13C		
R1601	A C 15I	R1750	A C 4M	R1859	B C 1H	R1949	A C 6G	R2352	B C 17L	R8028	A C 4K	R8132	A C 15C		
R1602	B C 15I	R1751	B C 4M	R1860	B C 1H	R1950	A C 5G	R2353	B C 18L	R8029	A C 11J	R8133	A C 15C		
R1603	B C 15I	R1752	B C 4M	R1861	B C 1H	R1951	A C 5G	R2354	A C 17L	R8034	B C 9J	R8134	A C 13C		
R1604	A C 14I	R1753	A C 5M	R1862	B C 1H	R2101	B C 14K	R2355	B C 18L	R8035	B C 9J	RA1501	A C 13G		
R1605	A C 14I	R1754	B C 2M	R1863	B C 1I	R2102	B C 15K	R2356	A C 17L	R8036	A C 8J	RA1502	A C 13G		
R1606	A C 13I	R1755	B C 2M	R1864	B C 1H	R2103	B C 14K	R2357	A C 18L	R8037	B C 9J	RA1503	A C 13G		
R1607	B C 14I	R1756	A C 2M	R1865	B C 1H	R2104	B C 14K	R2358	A C 18L	R8038	A C 8J	RA1504	A C 13G		
R1608	B C 20H	R1757	B C 3M	R1866	B C 1I	R2120	B C 16J	R2359	A C 18L	R8039	A C 8J	RA1505	A C 13F		
R1609	B C 20H	R1758	B C 3M	R1867	B C 1I	R2121	A C 16K	R2360	A C 17O	R8048	B C 13K	RA1506	A C 13F		
R1610	B C 20H	R1759	A C 3M	R1871	A C 5F	R2122	B C 16K	R2380	A C 16L	R8049	B C 14N	RA1507	A C 13F		
R1611	B C 18B	R1760	B C 5M	R1872	B C 9F	R2155	B C 17J	R2381	A C 16L	R8050	B C 14M	RA1508	A C 13E		
R1612	B C 14C	R1761	B C 5M	R1873	A C 2G	R2156	B C 17J	R2382	B C 16L	R8053	A C 4J	RA1509	A C 13E		
R1613	B C 15I	R1762	A C 5M	R1874	B C 8O	R2157	A C 17K	R2383	B C 16L	R8054	B C 9O	RA1510	A C 13E		
R1614	A C 17I	R1763	B C 6M	R1875	A C 8H	R2158	A C 17J	R2384	A C 16M	R8055	A C 9E	RA1701	B C 1C		
R1615	A C 15B	R1764	B C 6M	R1876	A C 11G	R2159	B C 17J	R2385	B C 16M	R8056	A C 9E	RA1702	B C 1D		
R1616	B C 15C	R1765	A C 6M	R1877	A C 11G	R2160	A C 18K	R2386	B C 16L	R8058	A C 9G	RA1703	B C 1D		
R1617	A C 13C	R1770	A C 10O	R1878	A C 11F	R2161	A C 18K	R2387	B C 16M	R8059	A C 9G	RA1704	B C 1D		
R1618	B C 19B	R1771	B C 11N	R1879	A C 11G	R2162	A C 18J	R2388	A C 16L	R8060	A C 9G	RA1705	B C 1F		
R1619	B C 18B	R1772	B C 11N	R1880	B C 10H	R2163	A C 16O	R2389	A C 16L	R8061	A C 9H	RA1706	B C 1F		
R1620	B C 19B	R1773	B C 11O	R1881	B C 10H	R2180	A C 16J	R2390	A C 16L	R8062	A C 9H	RA1707	B C 1F		
R1621	B C 19B	R1774	B C 11O	R1882	B C 9J	R2181	A C 16J	R2391	A C 16L	R8063	A C 9H	RA1708	B C 1G		
R1622	B C 18E	R1775	A C 11O	R1883	A C 1E	R2182	B C 16K	R2392	B C 17L	R8064	A C 9H	RA1709	B C 1H		
R1623	B C 18E	R1776	B C 10N	R1884	A C 2O	R2183	B C 16J	R2393	B C 17L	R8065	A C 10H	RA1710	B C 6O		
R1624	A C 18E	R1777	B C 11N	R1885	B C 12M	R2184	A C 16K	R2394	B C 17L	R8066	A C 10H	RA1711	B C 6O		
R1625	A C 18E	R1778	B C 11N	R1886	B C 12M	R2185	B C 16K	R2395	B C 17L	R8067	A C 10H	RA1712	B C 5O		
R1626	A C 15I	R1779	A C 9N	R1887	B C 9J	R2186	B C 16K	R2396	B C 17L	R8068	A C 10G	RA1713	B C 5O		
R1627	A C 15I	R1780	A C 10O	R1888	B C 9H	R2187	B C 16K	R2404	B C 19L	R8069	B C 10G	RA1714	B C 4O		
R1628	A C 17E	R1781	A C 10O	R1889	B C 9H	R2188	A C 16K	R2405	B C 20L	R8070	B C 10G	RA1715	B C 3O		
R1629	B C 17E	R1782	B C 10O	R1890	B C 9H	R2189	A C 16K	R2406	B C 20L	R8071	B C 10G	RA1716	B C 4O		
R1630	B C 17E	R1787	B C 13M	R1891	B C 9G	R2190	A C 16J	R2407	B C 20L	R8072	A C 9H	RA1717	B C 13L		
R1631	A C 14D	R1788	B C 13M	R1892	B C 9G	R2191	A C 16J	R2408	B C 20L	R8073	B C 9G	RA1718	B C 13M		
R1632	B C 16E	R1789	A C 13M	R1893	B C 9G	R2192	B C 17J	R2409	B C 20L	R8074	B C 5G	RA1719	B C 13M		
R1633	B C 14I	R1790	B C 13K	R1895	B C 9H	R2193	B C 17J	R2410	A C 20L	R8075	B C 5G	RA1720	B C 13M		
R1634	A C 17E	R1791	B C 13K	R1896	B C 9H	R2194	B C 17J	R2411	A C 20L	R8076	B C 10N	RA1722	B C 10F		
R1635	B C 15D	R1792	B C 13K	R1897	B C 9G	R2195	B C 17J	R2414	B C 20M	R8077	B C 9N	RA1726	B C 9G		
R1636	B C 15D	R1793	B C 14M	R1898	B C 9G	R2196	B C 17J	R2415	A C 20N	R8078	A C 7G	RA1733	A C 10B		
R1637	A C 13B	R1794	B C 14M	R1899	B C 9G	R2197	A C 18J	R2416	A C 20N	R8079	A C 6H	RA1734	A C 10B		
R1638	A C 13C	R1795	B C 14M	R1900	B C 9G	R2201	B C 9G	R2417	B C 20N	R8080	B C 7F	RA1735	A C 10B		
R1701	B C 3B	R1796	B C 14M	R1901	A C 1D	R2202	B C 15N	R2455	B C 19L	R8081	A C 6G	RA1736	A C 11B		

REF.No.	LOCATION	REF.No.	LOCATION	REF.No.	LOCATION	REF.No.	LOCATION
RA8001	A C 9E	TP1302	A C 16E	TP2406	A C 21O		
RA8002	A C 9E	TP1401	A C 17C				
RA8003	A C 9D	TP1402	A C 16C	OTHER			
RA8004	A C 9D	TP1501	A C 13H	F1102	A C 15B		
RA8005	A C 9D	TP1502	A C 15C	F1302	A C 15B		
RA8006	A C 9C	TP1503	A C 16E	F2101	A C 15K		
RA8007	A C 9C	TP1505	A C 14I	F2201	A C 15N		
RA8008	A C 9C	TP1506	A C 18I	F2301	A C 15L		
RA8009	A C 4C	TP1507	A C 18I	VR1101	A C 19G		
RA8010	A C 3C	TP1508	A C 14C	VR1102	A C 17H		
RA8011	A C 6C	TP1509	A C 14B	VR1103	A C 16G		
RA8012	A C 5C	TP1701	A C 9I	VR1104	A C 19G		
RA8013	A C 4E	TP1702	A C 12J	VR1201	A C 19F		
RA8014	A C 3E	TP1703	A C 12J	VR1202	A C 17F		
RA8015	A C 6E	TP1704	A C 9O	VR1203	A C 16F		
RA8016	A C 5E	TP1705	A C 10N	VR1204	A C 19F		
RA8017	A C 9L	TP1706	A C 10N	VR1301	A C 19D		
RA8018	A C 9L	TP1707	A C 10N	VR1302	A C 17D		
RA8019	A C 6M	TP1708	A C 10O	VR1303	A C 16D		
RA8020	A C 6N	TP1709	A C 10N	VR1304	A C 19D		

COMPONENT SIDE (A)(1/2)

NOTE: This board diagram is divided into two for printing and they appear on two pages.



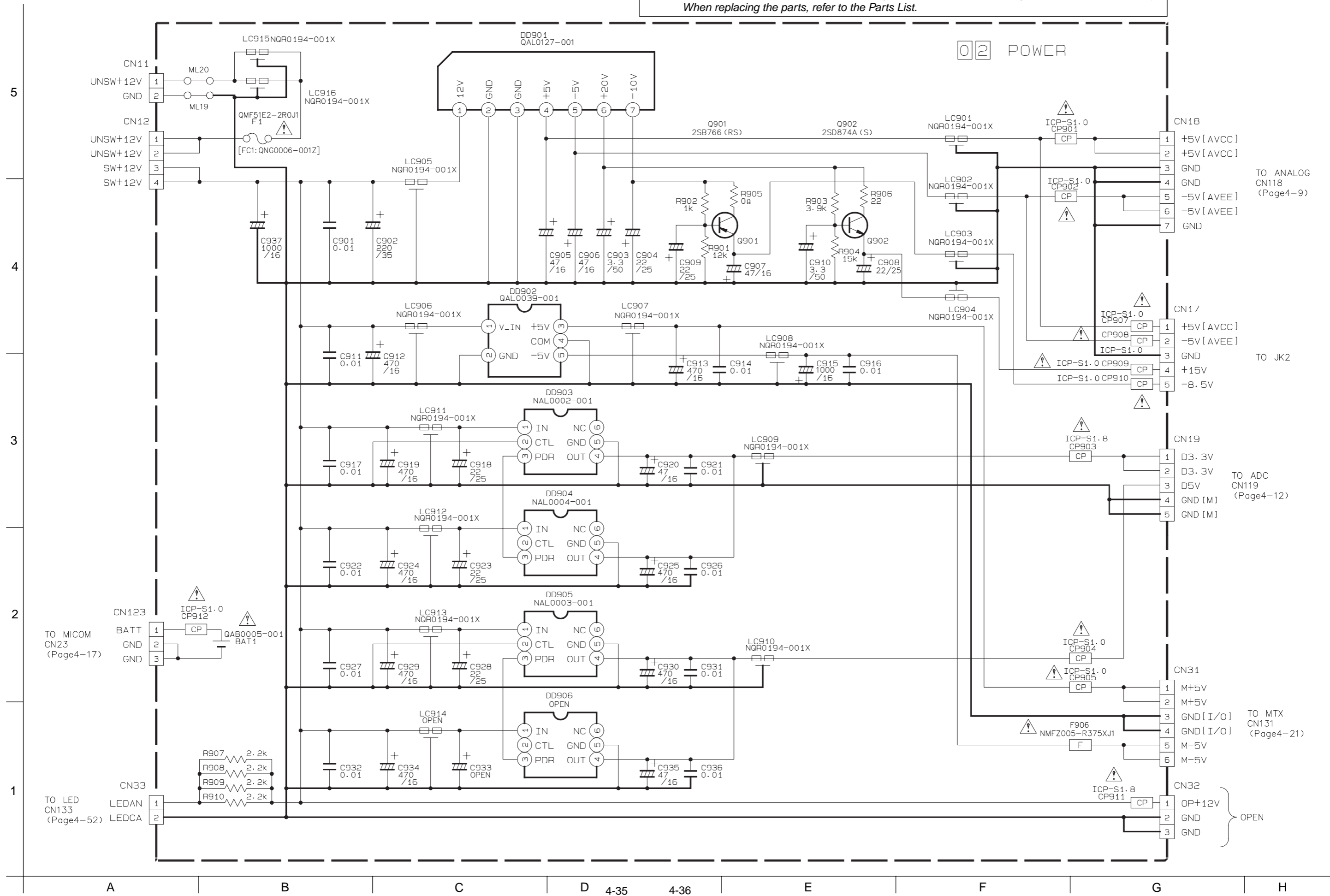
COMPONENT SIDE (A)(2/2)

NOTE: This board diagram is divided into two for printing and they appear on two pages.



4.12 POWER SCHEMATIC DIAGRAM

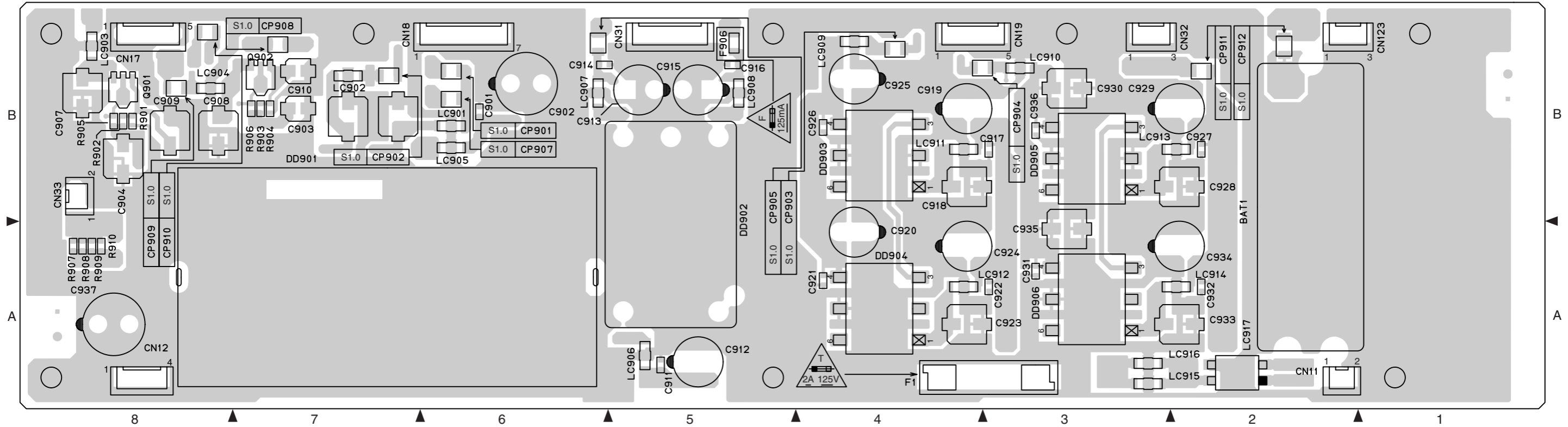
Note : The Parts Number, value and rated voltage etc. in the Schematic Diagram are for references only. When replacing the parts, refer to the Parts List.



4.13 POWER CIRCUIT BOARD

YB10204-01-01

COMPONENT SIDE(A)



COMPONENT PARTS LOCATION GUIDE (POWER PWB)

REF.No.	LOCATION	REF.No.	LOCATION	REF.No.	LOCATION	REF.No.	LOCATION	REF.No.	LOCATION	REF.No.	LOCATION	REF.No.	LOCATION	REF.No.	LOCATION
CAPACITOR				CONNECTOR				CIRCUIT PROTECTOR		DD CONVERT		NOISE FILTER			
C901	A C 6B	C913	A D 5B	C926	A C 4B	CN11	A D 2A	CP901	A C 6B	DD901	A D 7B	LC901	A C 6B	R903	A C 7B
C902	A D 6B	C914	A C 6B	C927	A C 2B	CN12	A D 8A	CP902	A C 7B	DD902	A D 5A	LC902	A C 7B	R904	A C 7B
C903	A C 7B	C915	A D 5B	C928	A C 2B	CN17	A D 8B	CP903	A C 4B	DD903	A C 4B	LC903	A C 8B	R905	A C 8B
C904	A C 8B	C916	A C 5B	C929	A D 2B	CN18	A D 6B	CP904	A C 4B	DD904	A C 4A	LC904	A C 8B	R906	A C 7B
C905	A C 7B	C917	A C 3B	C930	A C 3B	CN19	A D 4B	CP905	A C 6B	DD905	A C 3B	LC905	A C 6B	R907	A C 8A
C906	A C 7B	C918	A C 4B	C931	A C 3A	CN31	A D 5B	CP907	A C 6B	DD906	A C 3A	LC906	A C 5A	R908	A C 8A
C907	A C 8B	C919	A D 4B	C932	A C 2A	CN32	A D 3B	CP908	A C 7B			LC907	A C 6B	R909	A C 8A
C908	A C 8B	C920	A D 4A	C933	A C 2A	CN33	A D 8B	CP909	A C 8B	FUSE		LC908	A C 5B	R910	A C 8A
C909	A C 8B	C921	A C 4A	C934	A D 2A	CN123	A D 2B	CP910	A C 8B	F1	A D 4A	LC909	A C 4B	OTHER	
C910	A C 7B	C922	A C 3A	C935	A C 3A			CP911	A C 2B	F906	A C 5B	LC910	A C 3B	BAT1	A D 2B
C911	A C 5A	C923	A C 4A	C936	A C 3B			CP912	A C 2B			LC911	A C 4B		
C912	A D 5A	C924	A D 4A	C937	A D 8A							LC912	A C 4A		
		C925	A D 4B												

4.14 FCP SCHEMATIC DIAGRAM

Note : The Parts Number, value and rated voltage etc. in the Schematic Diagram are for references only. When replacing the parts, refer to the Parts List.

03 FCP

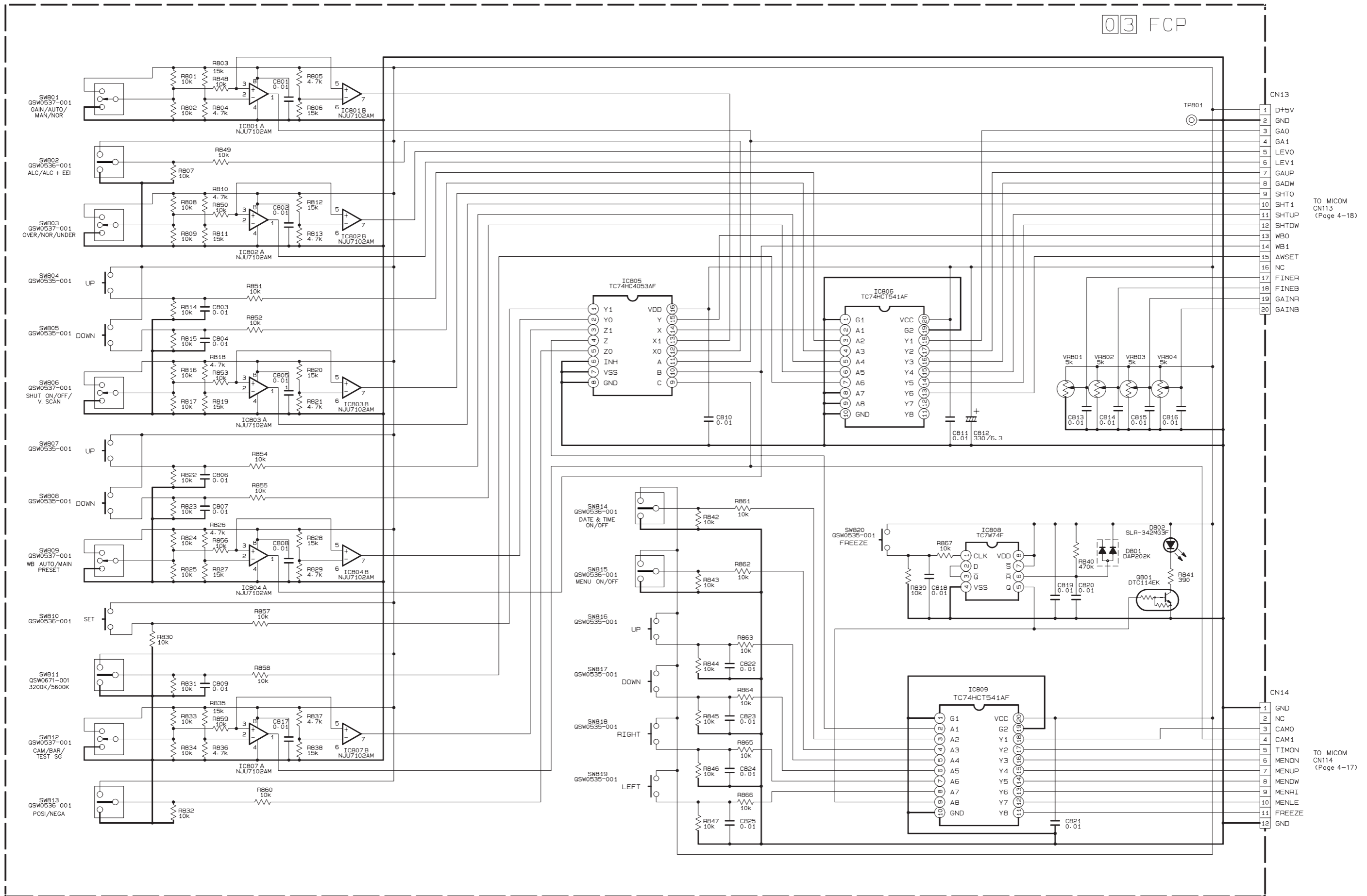
5

4

3

2

1

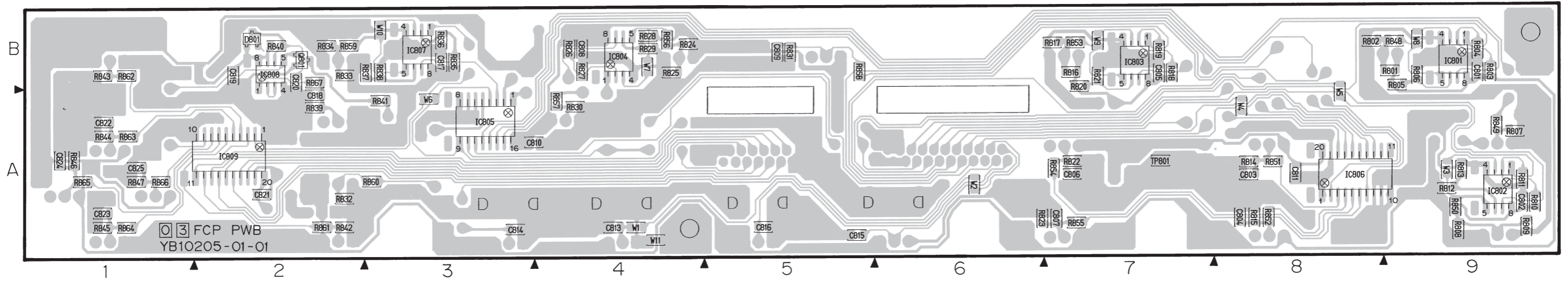


TO MICOM
CN13
(Page 4-18)

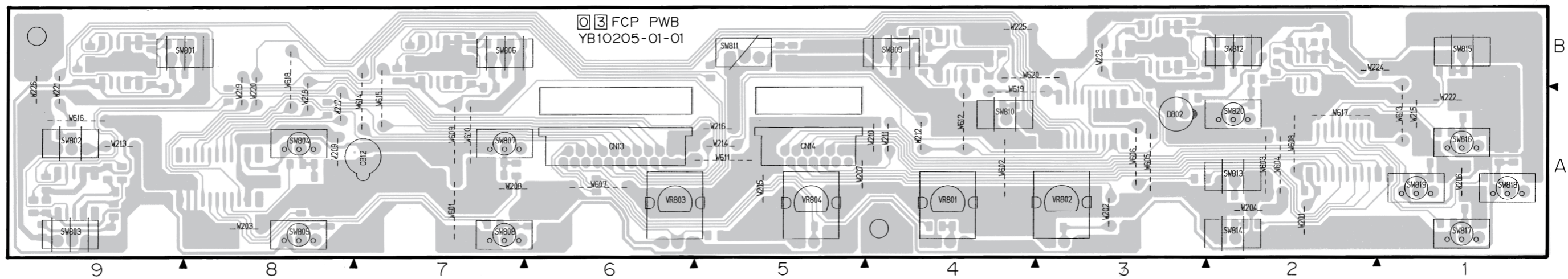
TO MICOM
CN14
(Page 4-17)

4.15 FCP CIRCUIT BOARD

FOIL SIDE(B)



COMPONENT SIDE(A)

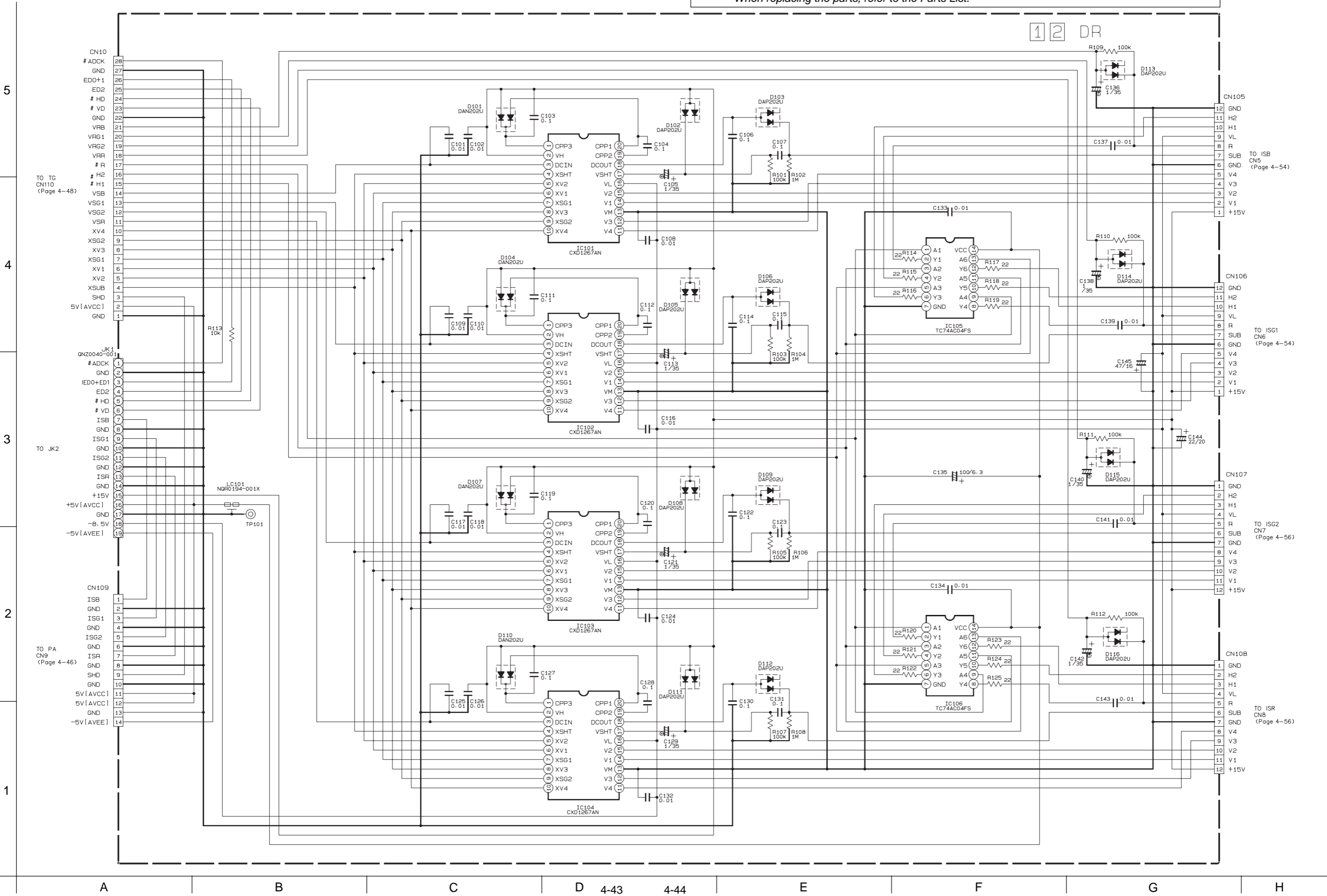


COMPONENT PARTS LOCATION GUIDE (FPC PWB)

REF.No.	LOCATION	REF.No.	LOCATION	REF.No.	LOCATION	REF.No.	LOCATION	REF.No.	LOCATION	REF.No.	LOCATION	REF.No.	LOCATION	REF.No.	LOCATION		
CAPACITOR		C818	B C 2B	IC				R803	B C 9B	R820	B C 7A	R837	B C 3B	R854	B C 7A	SW802	A D 9B
C801	B C 9B	C819	B C 2B	IC801	B C 9B	R804	B C 9B	R821	B C 7B	R838	B C 3B	R855	B C 7A	SW803	A D 9A	TESTPOINT	
C802	B C 9A	C820	B C 2A	IC802	B C 9A	R805	B C 9B	R822	B C 7A	R839	B C 2B	R856	B C 4B	SW804	A D 8A	TP801 B C 7A	
C803	B C 8A	C821	B C 2A	IC803	B C 7B	R806	B C 9B	R823	B C 6A	R840	B C 2B	R857	B C 4B	SW805	A D 8A	OTHER	
C804	B C 8A	C822	B C 1B	IC804	B C 4B	R807	B C 9A	R824	B C 4B	R841	B C 3A	R858	B C 5B	SW806	A D 7B	VR801 A D 4A	
C805	B C 7B	C823	B C 1A	IC805	B C 3B	R808	B C 9A	R825	B C 4B	R842	B C 2A	R859	B C 2B	SW807	A D 7A	VR802 A D 3A	
C806	B C 7A	C824	B C 1A	IC806	B C 8A	R809	B C 9A	R826	B C 4B	R843	B C 1B	R860	B C 3A	SW808	A D 7A	VR803 A D 6A	
C807	B C 7A	C825	B C 1A	IC807	B C 3B	R810	B C 9A	R827	B C 4B	R844	B C 1A	R861	B C 2A	SW809	A D 4B	VR804 A D 5A	
C808	B C 4B	CONNECTOR		IC808	B C 2B	R811	B C 9A	R828	B C 4B	R845	B C 1A	R862	B C 1B	SW810	A D 4A		
C809	B C 5B	CN13	A D 6A	IC809	B C 2B	R812	B C 9A	R829	B C 4B	R846	B C 1A	R863	B C 1A	SW811	A D 2B		
C810	B C 3A	CN14	A D 5A	TRANSISTOR				R813	B C 9A	R830	B C 4A	R847	B C 1A	R864	B C 1A	SW812	A D 2A
C811	B C 8A	DIODE				Q801	B C 2B	R814	B C 8A	R831	B C 5B	R848	B C 9B	R865	B C 1A	SW813	A D 2A
C813	B C 4A	D801	B C 2B	RESISTOR				R815	B C 8A	R832	B C 2A	R849	B C 9B	R866	B C 1A	SW814	A D 2A
C814	B C 3A	D802	A D 3A	R801	B C 9B	R816	B C 7B	R833	B C 2B	R834	B C 2B	R850	B C 9A	R867	B C 2B	SW815	A D 1B
C815	B C 5A					R802	B C 8B	R817	B C 7B	R835	B C 3B	R851	B C 8A	SWITCH			
C816	B C 5A					R818	B C 7B	R836	B C 3B	R852	B C 3B	R853	B C 7B	SW801	A D 8B	SW816	A D 1A
C817	B C 3B					R819	B C 7B					SW817	A D 1A	SW818	A D 1A	SW819	A D 1A

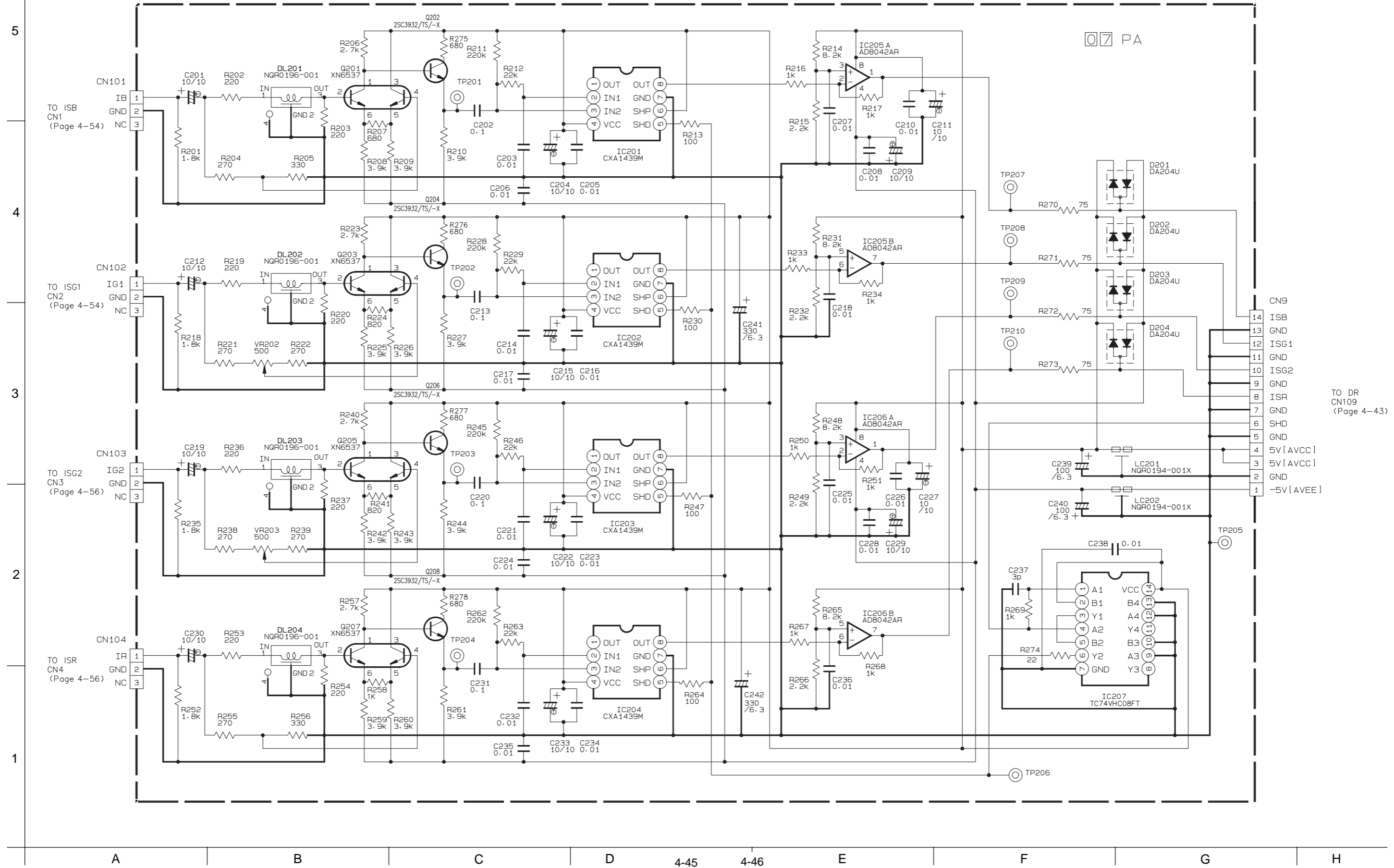
4.16 DR SCHEMATIC DIAGRAM

Note : The Parts Number, value and rated voltage etc. in the Schematic Diagram are for references only.
When replacing the parts, refer to the Parts List.



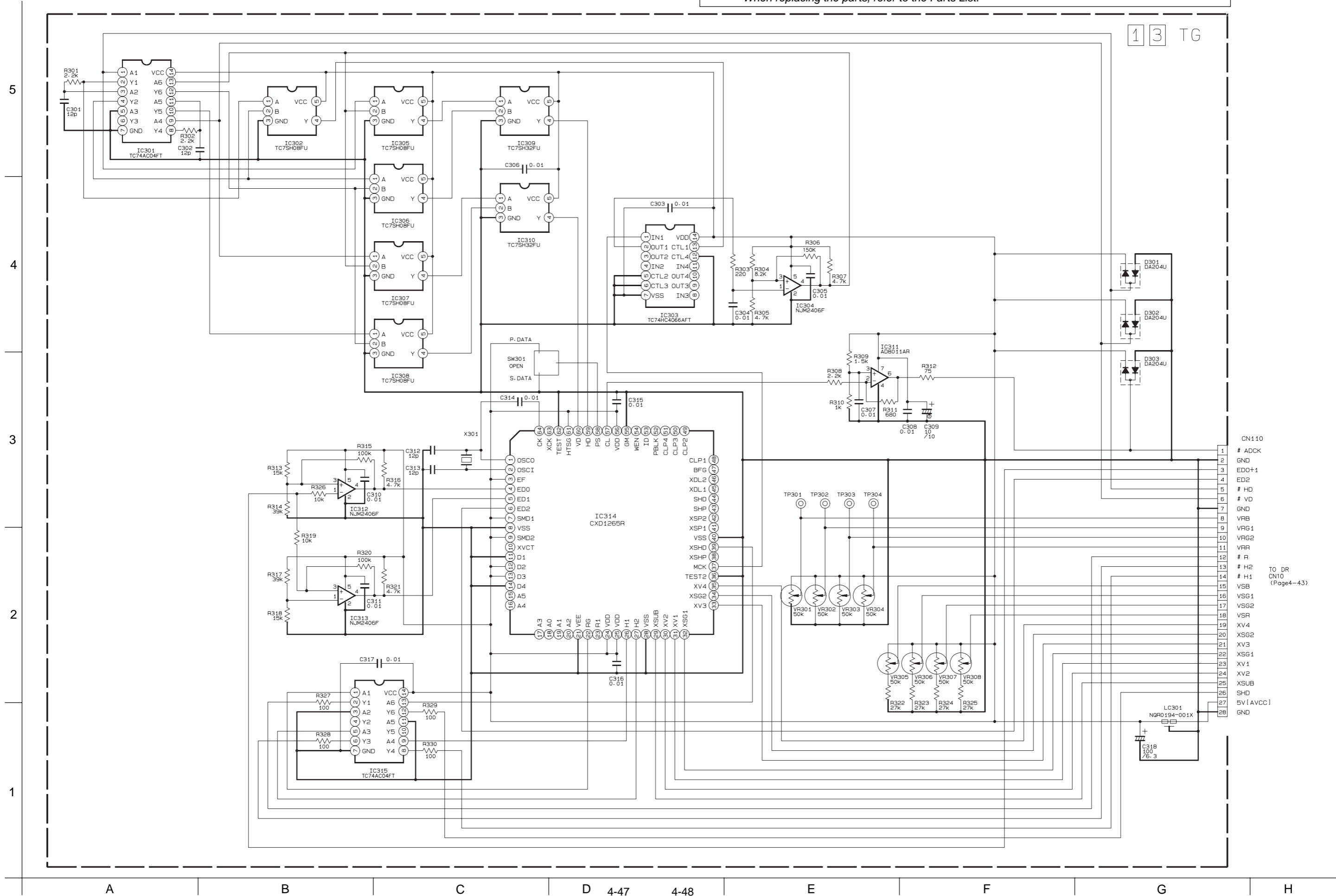
4.17 PA SCHEMATIC DIAGRAM

Note : The Parts Number, value and rated voltage etc. in the Schematic Diagram are for references only. When replacing the parts, refer to the Parts List.



4.18 TG SCHEMATIC DIAGRAM

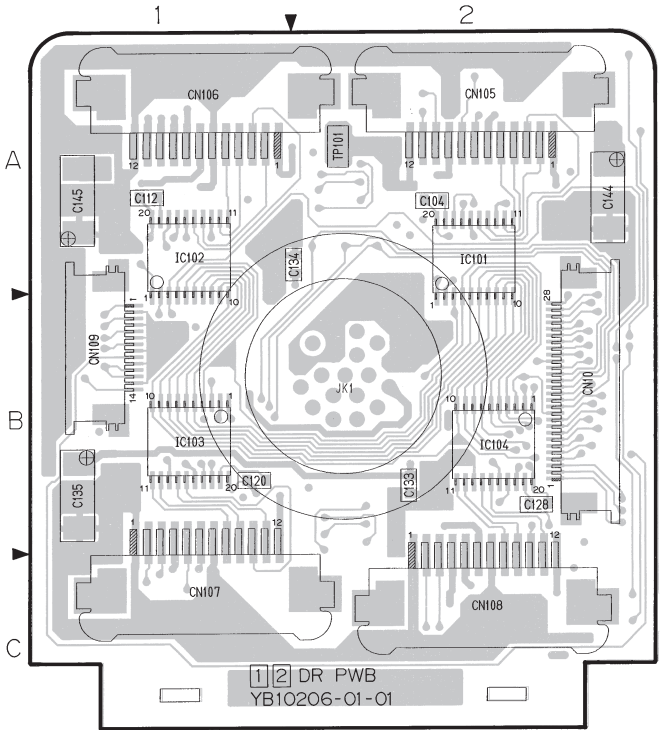
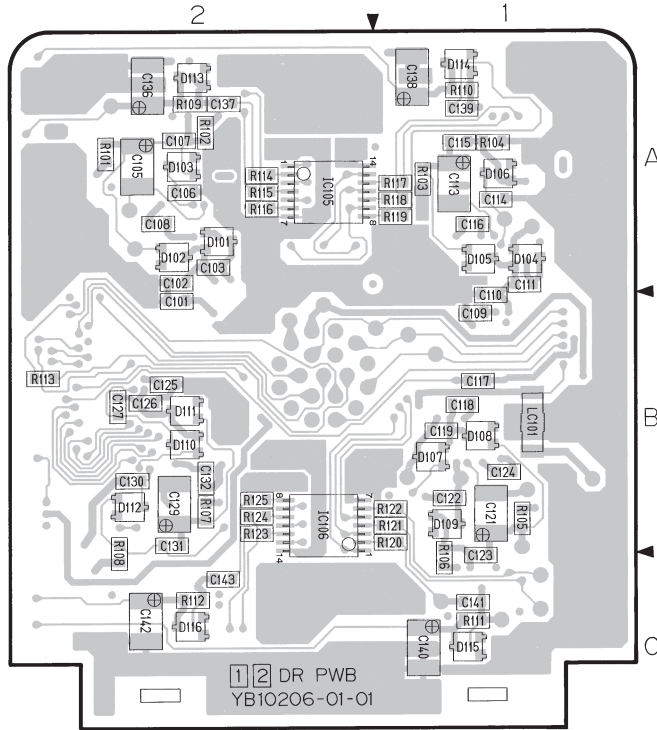
Note : The Parts Number, value and rated voltage etc. in the Schematic Diagram are for references only.
When replacing the parts, refer to the Parts List.



4.19 DR CIRCUIT BOARD

FOIL SIDE(B)

COMPONENT SIDE(A)

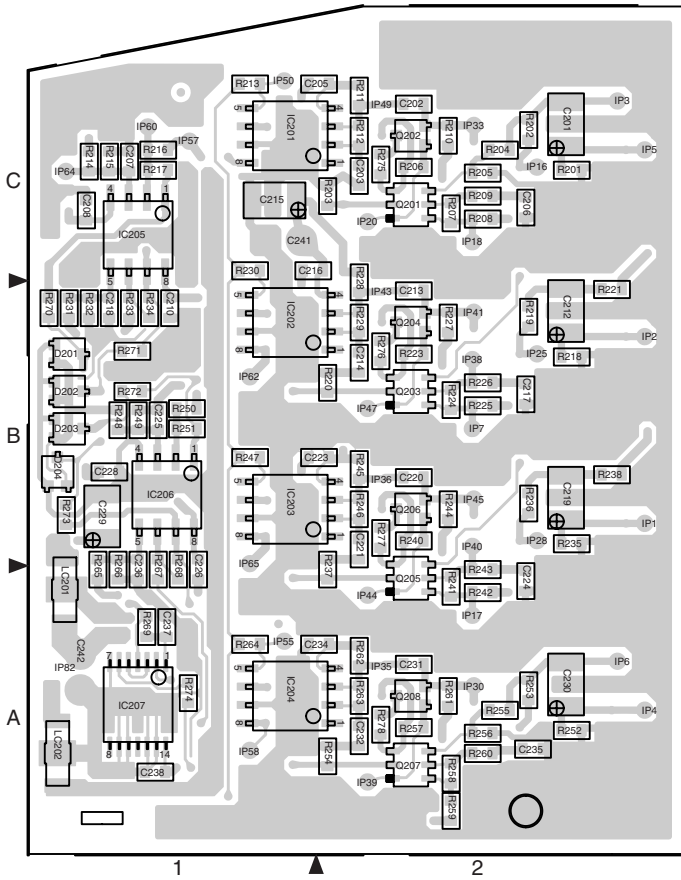


COMPONENT PARTS LOCATION GUIDE (DR PWB)

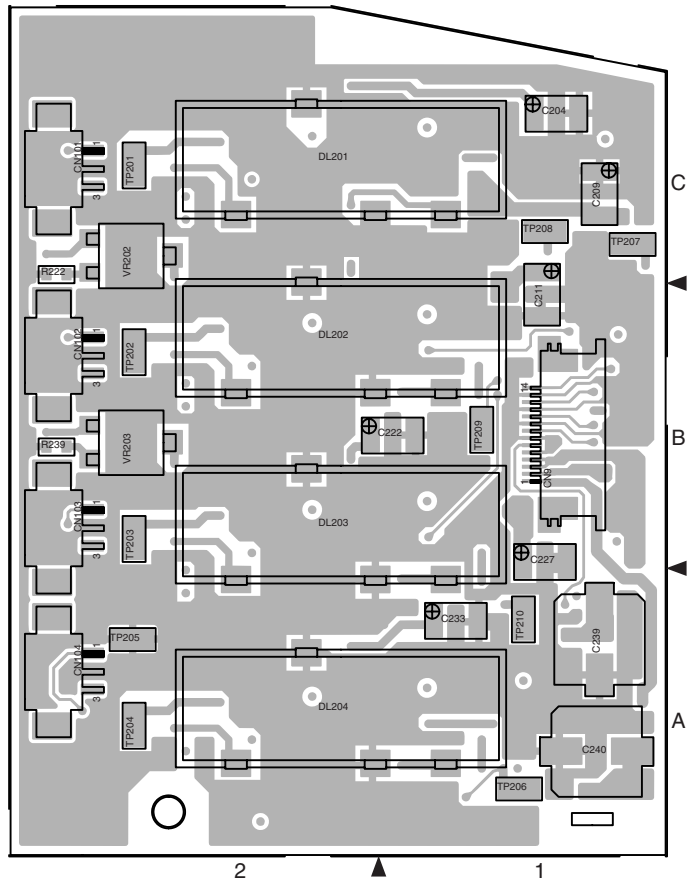
REF.No.	LOCATION	REF.No.	LOCATION	REF.No.	LOCATION	REF.No.	LOCATION	REF.No.	LOCATION	REF.No.	LOCATION	
CAPACITOR												
C101	B C 2B	C121	B C 1B	C142	B C 2C	D109	B C 1B	R104	B C 1A	R125	B C 2B	
C102	B C 2A	C122	B C 1B	C143	B C 2C	D110	B C 2B	R105	B C 1B	TESTPOINT		
C103	B C 2A	C123	B C 1C	C144	A C 2A	D111	B C 2B	R106	B C 1C	TP101	A C 2A	
C104	A C 2A	C124	B C 1B	C145	A C 1A	D112	B C 2B	R107	B C 2B	OTHER		
C105	B C 2A	C125	B C 2B	CONNECTOR			D113	B C 2A	R108	B C 2C	JK1	A D 2B
C106	B C 2A	C126	B C 2B	CN105	A C 2A	D114	B C 1A	R109	B C 2A	LC101		
C107	B C 2A	C127	B C 2B	CN106	A C 2A	D115	B C 1C	R110	B C 1A			
C108	B C 2A	C128	A C 2B	CN107	A C 1C	D116	B C 2C	R111	B C 1C			
C109	B C 1B	C129	B C 2B	CN108	A C 2C	IC			R112	B C 2C		
C110	B C 1B	C130	B C 2B	CN109	A C 1B	IC101	A C 2A	R113	B C 2B			
C111	B C 1A	C131	B C 2B	DIODE			IC102	A C 1A	R114	B C 2A		
C112	A C 1A	C132	B C 2B	D101	B C 2A	IC103	A C 1B	R115	B C 2A			
C113	B C 1A	C133	A C 2B	D102	B C 2A	IC104	A C 2B	R116	B C 2A			
C114	B C 1A	C134	A C 2A	D103	B C 2A	IC105	B C 2A	R117	B C 1A			
C115	B C 1A	C135	A C 1B	D104	B C 1A	IC106	B C 2B	R118	B C 1A			
C116	B C 1A	C136	B C 2A	D105	B C 1A	RESISTOR			R119	B C 1A		
C117	B C 1B	C137	B C 2A	D106	B C 1A	R101	B C 2A	R120	B C 1A			
C118	B C 1B	C138	B C 1A	D107	B C 1B	R102	B C 2A	R121	B C 1A			
C119	B C 1B	C139	B C 1A	D108	B C 1B	R103	B C 1A	R122	B C 1A			
C120	A C 1B	C140	B C 1C					R123	B C 2B			
		C141	B C 1C					R124	B C 2B			

4.20 PA CIRCUIT BOARD

FOIL SIDE(B)



COMPONENT SIDE(A)

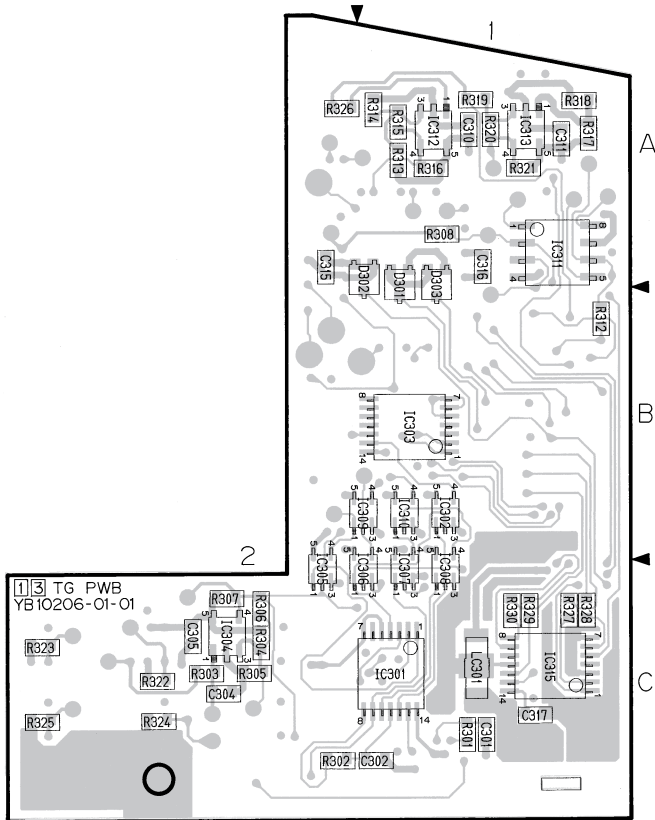


COMPONENT PARTS LOCATION GUIDE (PA PWB)

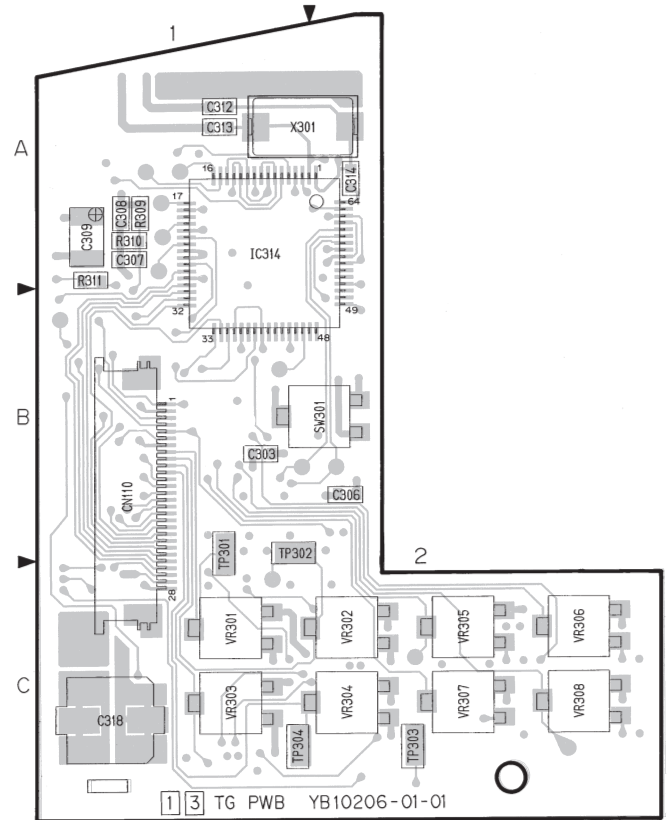
REF.No.	LOCATION	REF.No.	LOCATION	REF.No.	LOCATION	REF.No.	LOCATION	REF.No.	LOCATION	REF.No.	LOCATION	REF.No.	LOCATION
CAPACITOR													
C201	B C 2C	C227	A C 1B	D203	B C 1B	R205	B C 2C	R232	B C 1B	R259	B C 2A	TP206	A C 1A
C202	B C 2C	C228	B C 1B	D204	B C 1B	R206	B C 2C	R233	B C 1B	R260	B C 2A	TP207	A C 1C
C203	B C 2C	C229	B C 1B	IC				R207	B C 1B	R261	B C 2A	TP208	A C 1C
C204	A C 1C	C230	B C 2A	IC201	B C 1C	R208	B C 2C	R235	B C 2B	R262	B C 2A	TP209	A C 1B
C205	B C 2C	C231	B C 2A	IC202	B C 1B	R209	B C 2C	R236	B C 2B	R263	B C 2A	TP210	A C 1A
C206	B C 2C	C232	B C 2A	IC203	B C 1B	R210	B C 2C	R237	B C 2A	R264	B C 1A	OTHER	
C207	B C 1C	C233	A C 1A	IC204	B C 1A	R211	B C 2C	R238	B C 2B	R265	B C 1A	VR202	A C 2C
C208	B C 1C	C234	B C 2A	IC205	B C 1C	R212	B C 2C	R239	A C 2B	R266	B C 1A	VR203	A C 2B
C209	A C 1C	C235	B C 2A	IC206	B C 1B	R213	B C 1C	R240	B C 2B	R267	B C 1A	DL201	A C 2C
C210	B C 1B	C236	B C 1A	IC207	B C 1A	R214	B C 1C	R241	B C 2A	R268	B C 1A	DL202	A C 2B
C211	A C 1B	C237	B C 1A	TRANSISTOR				R215	B C 1C	R242	B C 2A	R269	B C 1A
C212	B C 2B	C238	B C 1A	Q201	B C 2C	R216	B C 1C	R243	B C 2A	R270	B C 1B	R270	B C 1B
C213	B C 2B	C239	A C 1A	Q202	B C 2C	R217	B C 1C	R244	B C 2B	R271	B C 1B	R271	B C 1B
C214	B C 2B	C240	A C 1A	Q203	B C 2B	R218	B C 2B	R245	B C 2B	R272	B C 1B	R272	B C 1B
C215	B C 1C	C241	B C 1C	Q204	B C 2B	R219	B C 2B	R246	B C 2B	R273	B C 1B	R273	B C 1B
C216	B C 1C	C242	B C 1A	Q205	B C 2A	R220	B C 2B	R247	B C 1B	R274	B C 1A	R274	B C 1A
C217	B C 2B	CONNECTOR				Q206	B C 2A	R221	B C 2B	R248	B C 1B	R275	B C 2C
C218	B C 1B	CN9	A C 1B	Q207	B C 2A	Q207	B C 2A	R222	A C 2C	R249	B C 1B	R276	B C 2B
C219	B C 2B	CN101	A C 2C	Q208	B C 2A	Q208	B C 2A	R223	B C 2B	R250	B C 1B	R277	B C 2B
C220	B C 2B	CN102	A C 2B	RESISTOR				R224	B C 2B	R251	B C 1B	R278	B C 2A
C221	B C 2B	CN103	A C 2B	R201	B C 2C	R225	B C 2B	R225	B C 2B	R252	B C 2A	TESTPOINT	
C222	A C 1B	CN104	A C 2A	R202	B C 2C	R226	B C 2B	R226	B C 2B	R253	B C 2A	TP201	A C 2C
C223	B C 2B	DIODE				R203	B C 2C	R227	B C 2B	R254	B C 2A	TP202	A C 2B
C224	B C 2A	D201	B C 1B	R204	B C 2C	R228	B C 2B	R228	B C 2B	R255	B C 2A	TP203	A C 2B
C225	B C 1B	D202	B C 1B	R205	B C 2C	R229	B C 2B	R229	B C 2B	R256	B C 2A	TP204	A C 2A
C226	B C 1A			R206	B C 2C	R230	B C 1C	R230	B C 1C	R257	B C 2A	TP205	A C 2A
				R207	B C 2C	R231	B C 1B	R231	B C 1B	R258	B C 2A		

4.21 TG CIRCUIT BOARD

FOIL SIDE(B)



COMPONENT SIDE(A)

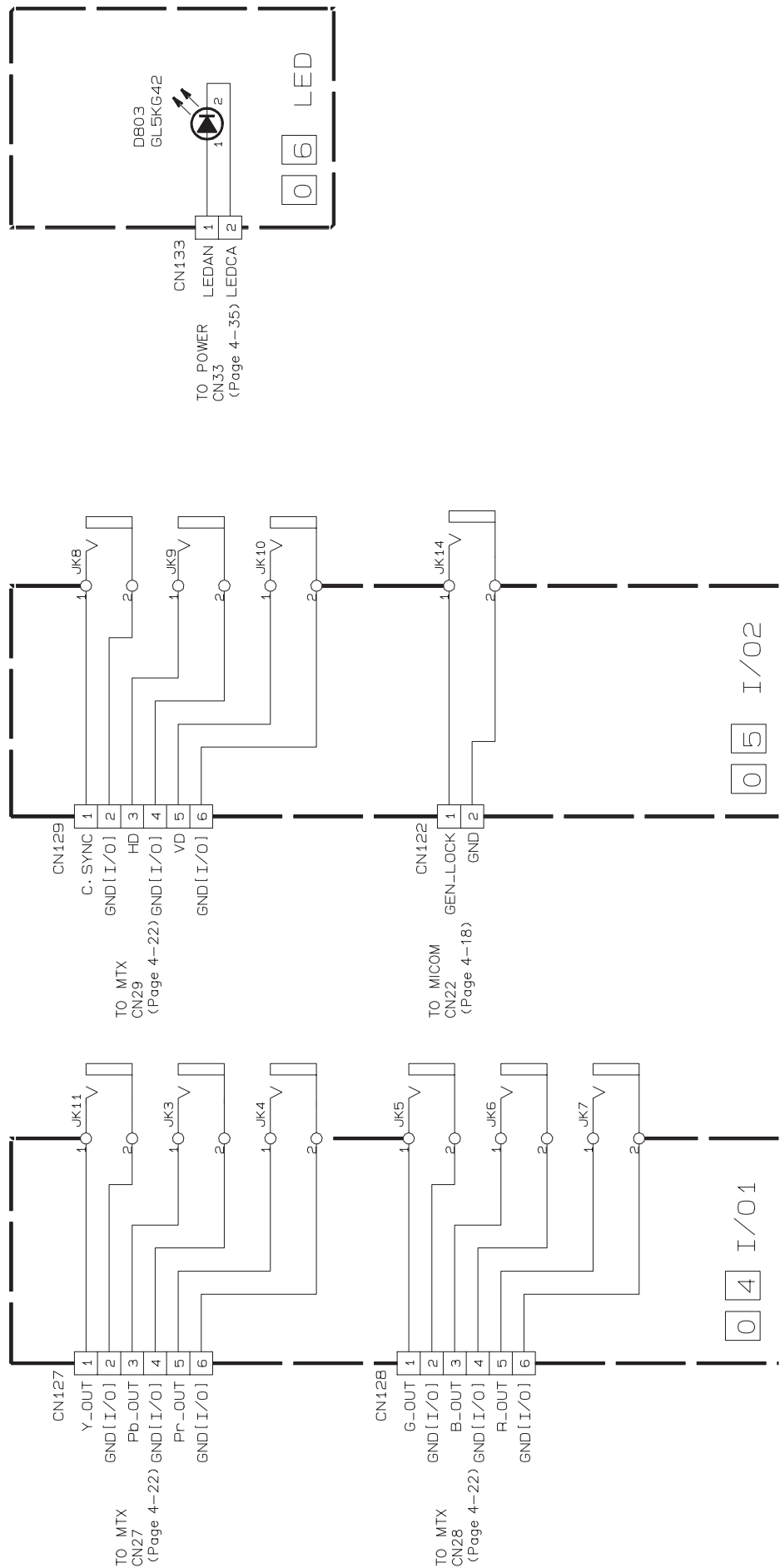


COMPONENT PARTS LOCATION GUIDE (TG PWB)

REF.No.	LOCATION			REF.No.	LOCATION			REF.No.	LOCATION			REF.No.	LOCATION		
CAPACITOR				DIODE				RESISTOR				R322	B	C	2C
C301	B	C	1C	D301	B	C	1A	R301	B	C	1C	R323	B	C	2C
C302	B	C	1C	D302	B	C	1A	R302	B	C	2C	R324	B	C	2C
C303	A	C	1B	D303	B	C	1A	R303	B	C	2C	R325	B	C	2C
C304	B	C	2C	IC				R304	B	C	2C	R326	B	C	2A
C305	B	C	2C					R305	B	C	2C	R327	B	C	1C
C306	A	C	2B	IC301	B	C	1C	R306	B	C	2C	R328	B	C	1C
C307	A	C	1A	IC302	B	C	1B	R307	B	C	2C	R329	B	C	1C
C308	A	C	1A	IC303	B	C	1B	R308	B	C	1A	R330	B	C	1C
C309	A	C	1A	IC304	B	C	2C	R309	A	C	1A	TESTPOINT			
C310	B	C	1A	IC305	B	C	2C	R310	A	C	1A	TP301	A	C	1B
C311	B	C	1A	IC306	B	C	1C	R311	A	C	1A	TP302	A	C	1B
C312	A	C	1A	IC307	B	C	1C	R312	B	C	1B	TP303	A	C	2C
C313	A	C	1A	IC308	B	C	1C	R313	B	C	1A	TP304	A	C	1C
C314	A	C	2A	IC309	B	C	1B	R314	B	C	1A	OTHER			
C315	B	C	2A	IC310	B	C	1B	R315	B	C	1A	LC301	B	C	1C
C316	B	C	1A	IC311	B	C	1A	R316	B	C	1A	SW301	A	C	2B
C317	B	C	1C	IC312	B	C	1A	R317	B	C	1A	VR301	A	C	1C
C318	A	C	1C	IC313	B	C	1A	R318	B	C	1A	VR302	A	C	2C
CONNECTOR				IC314	A	C	1A	R319	B	C	1A	VR303	A	C	1C
CN110	A	C	1B	IC315	B	C	1C	R320	B	C	1A	VR304	A	C	2C
								R321	B	C	1A				

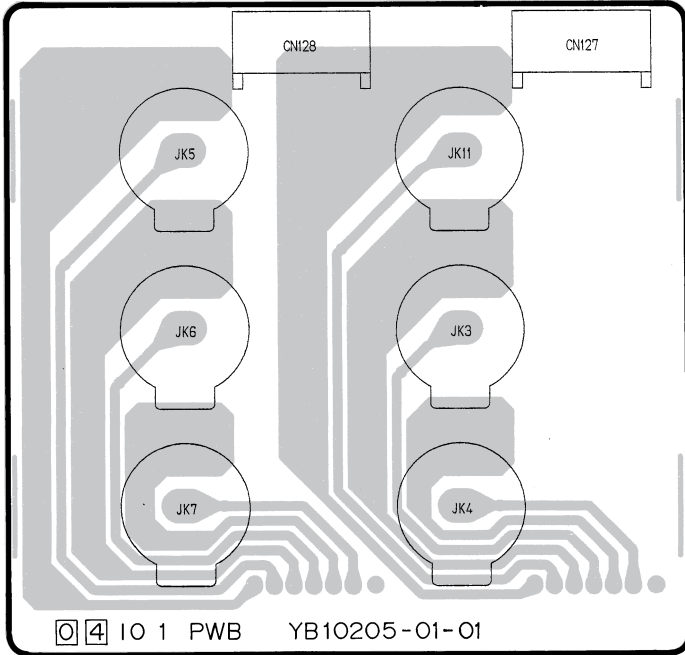
4.22 I/O1,I/O2 AND LED SCHEMATIC DIAGRAMS

Note : The Parts Number, value and rated voltage etc. in the Schematic Diagram are for references only. When replacing the parts, refer to the Parts List.

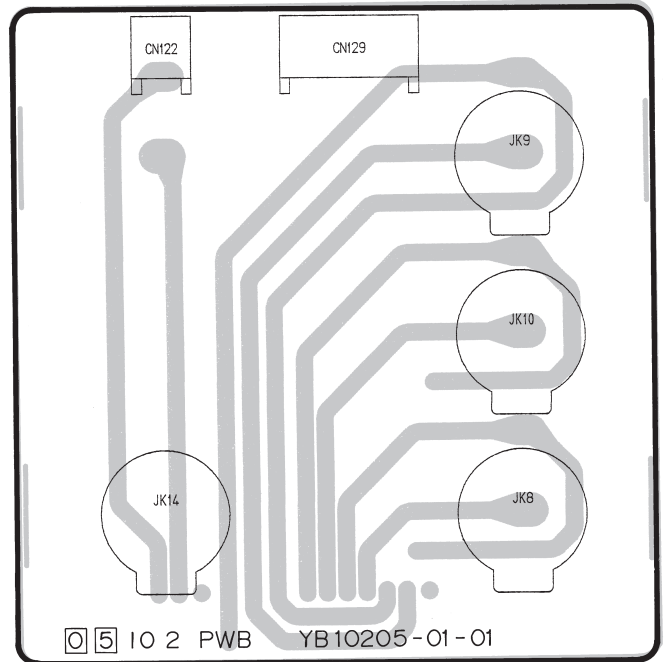


4.23 I/O1,I/O2 AND LED CIRCUIT BOARDS

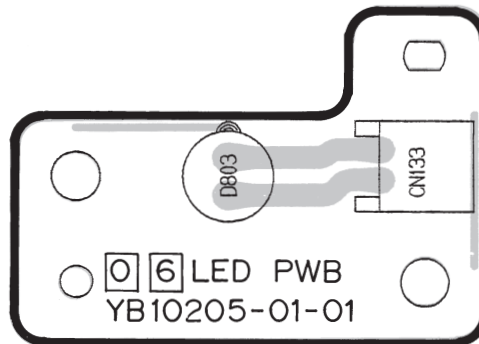
-I/O1-
FOIL SIDE(B)



-I/O2-
FOIL SIDE(B)



-LED-
COMPONENT SIDE(A)



4.24 ISB AND ISG1 SCHEMATIC DIAGRAMS

Note : The Parts Number, value and rated voltage etc. in the Schematic Diagram are for references only. When replacing the parts, refer to the Parts List.

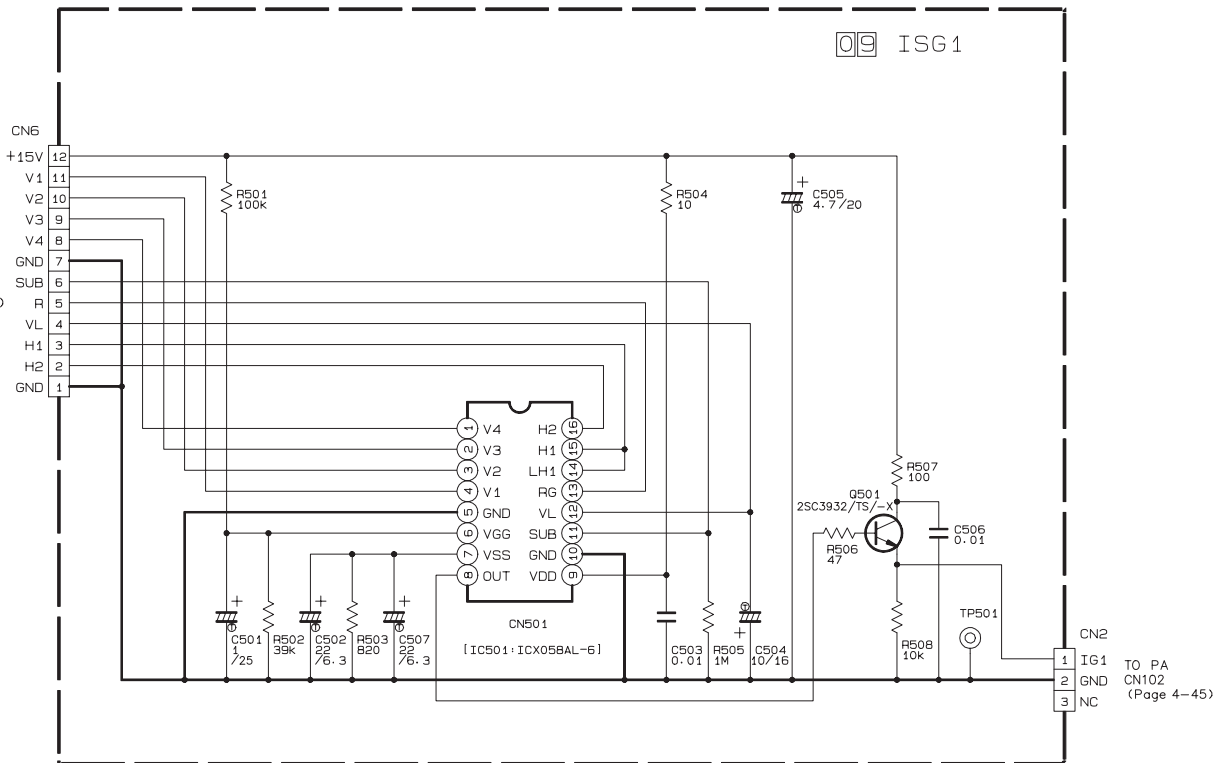
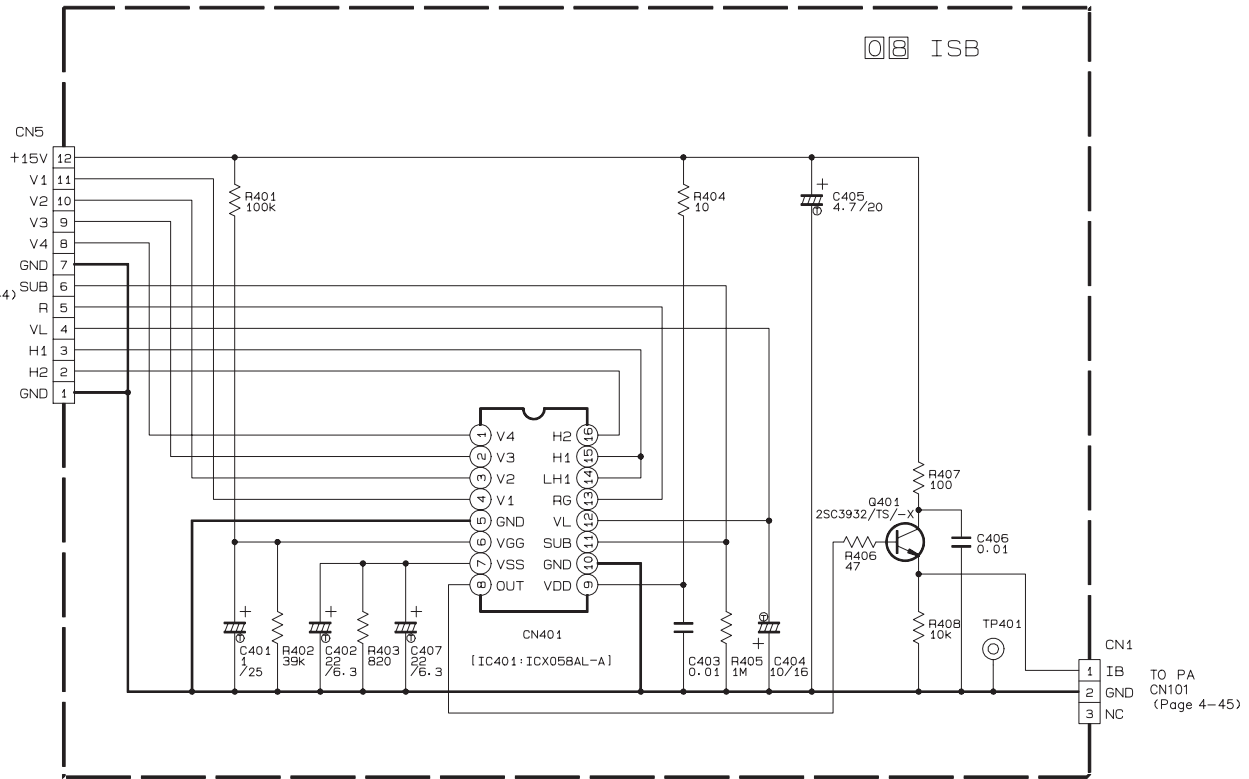
5

4

3

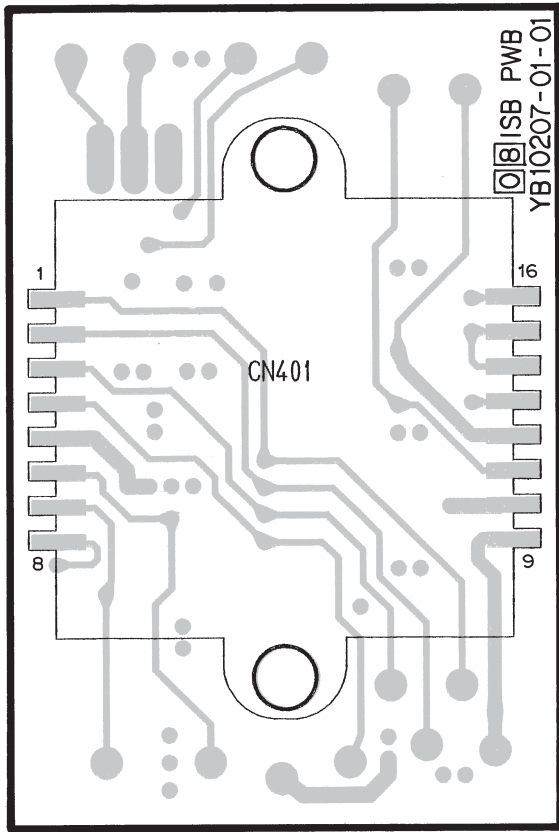
2

1



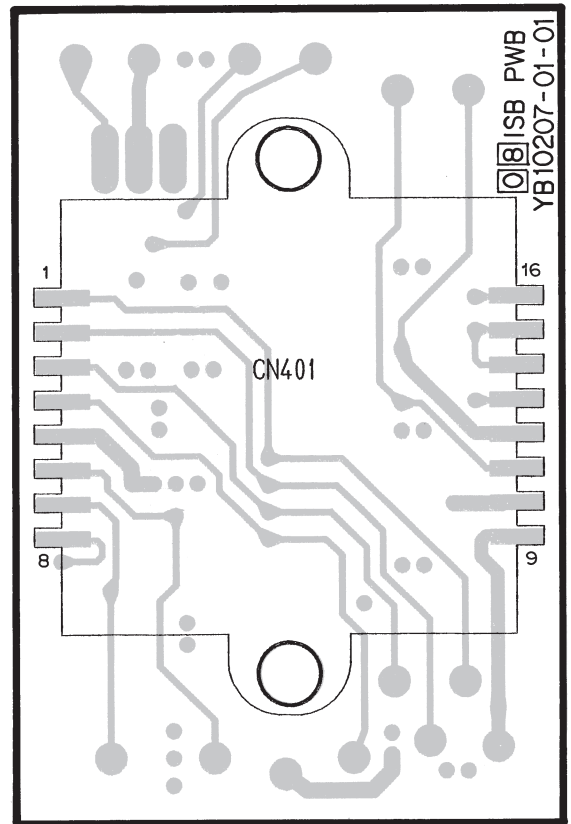
4.25 ISB AND ISG1 CIRCUIT BOARDS

FOIL SIDE(B)

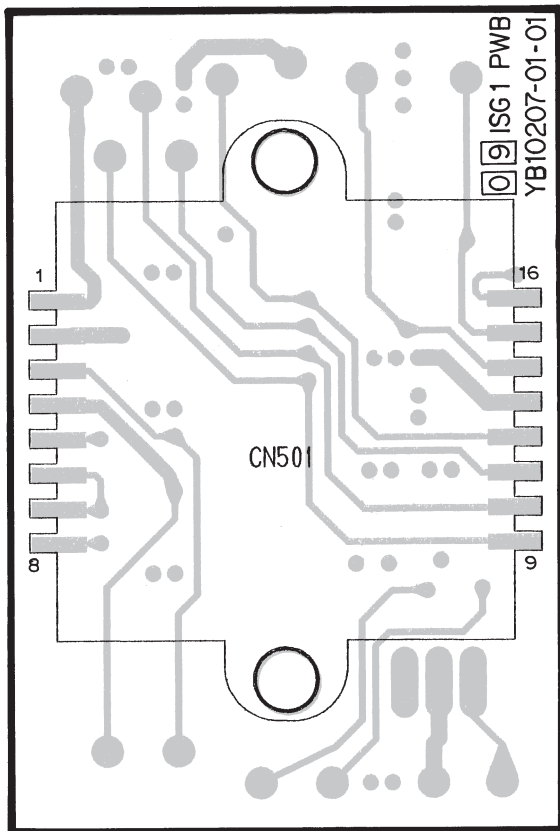


-ISB-

COMPONENT SIDE(A)

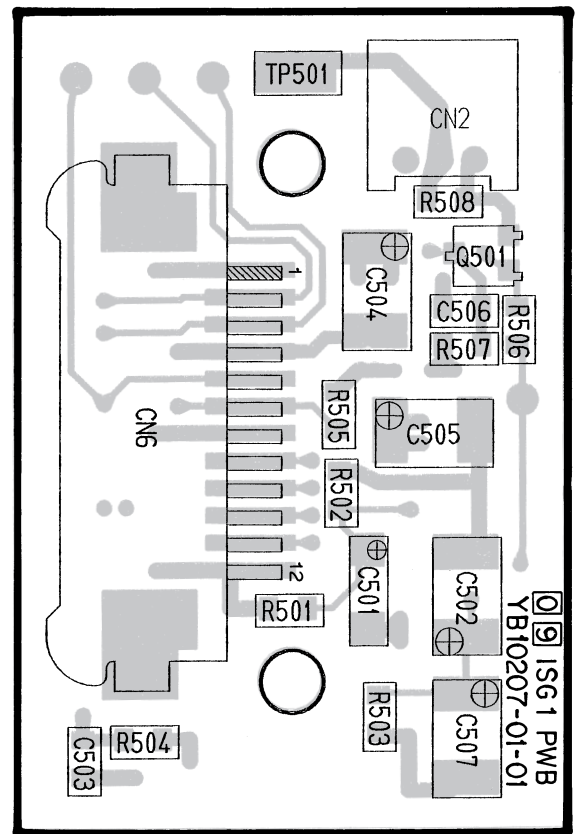


FOIL SIDE(B)



-ISG1-

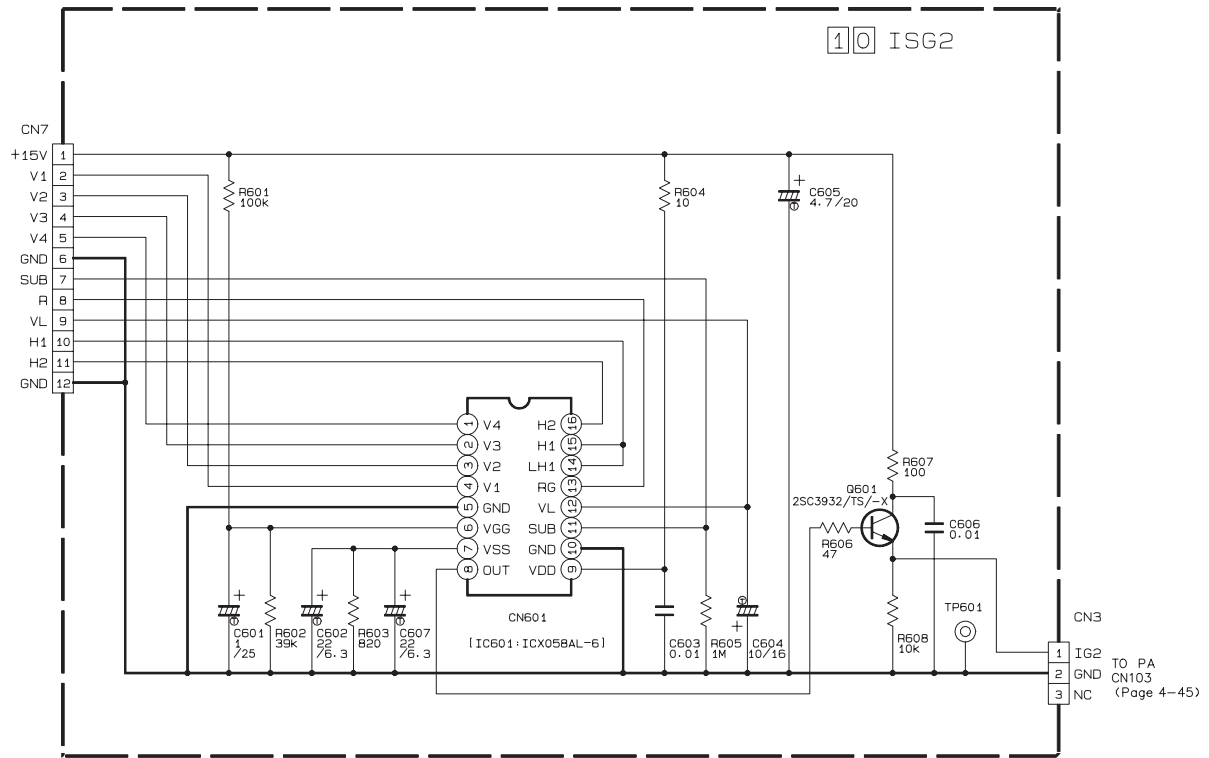
COMPONENT SIDE(A)



4.26 ISG2 AND ISR SCHEMATIC DIAGRAMS

Note : The Parts Number, value and rated voltage etc. in the Schematic Diagram are for references only. When replacing the parts, refer to the Parts List.

5



TO DR
CN107
(Page 4-44)

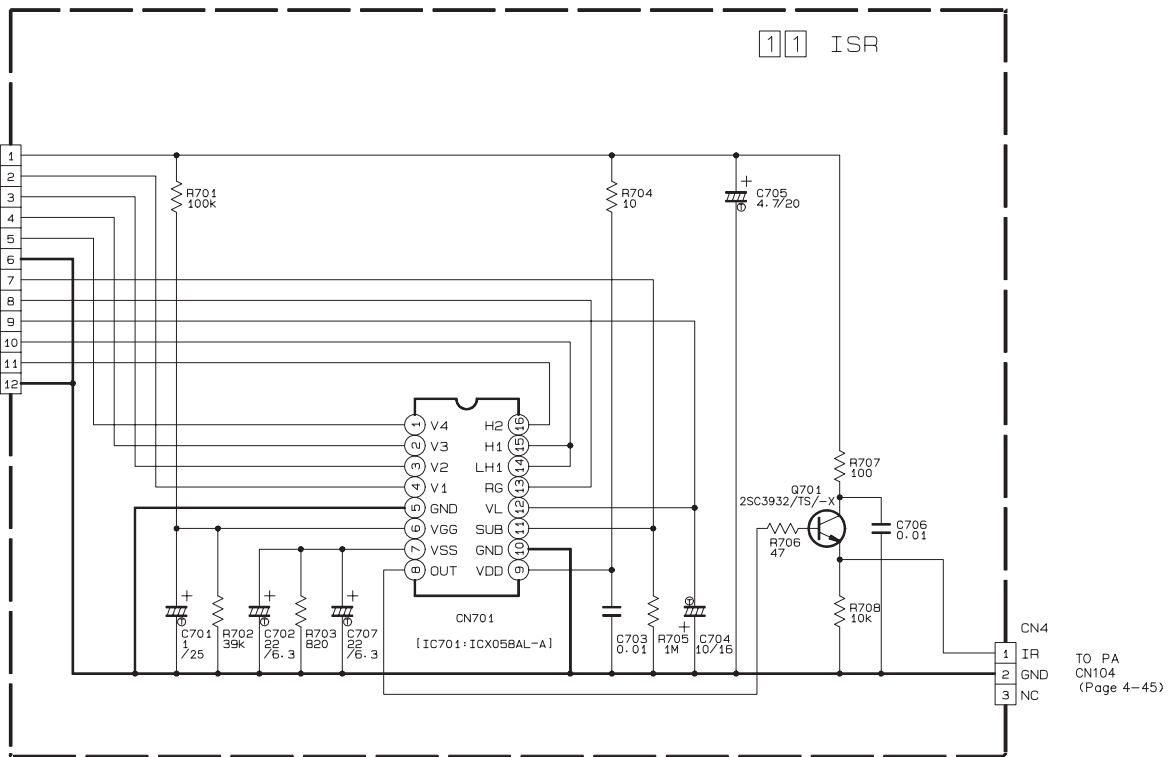
TO PA
CN103
(Page 4-45)

4

3

2

1

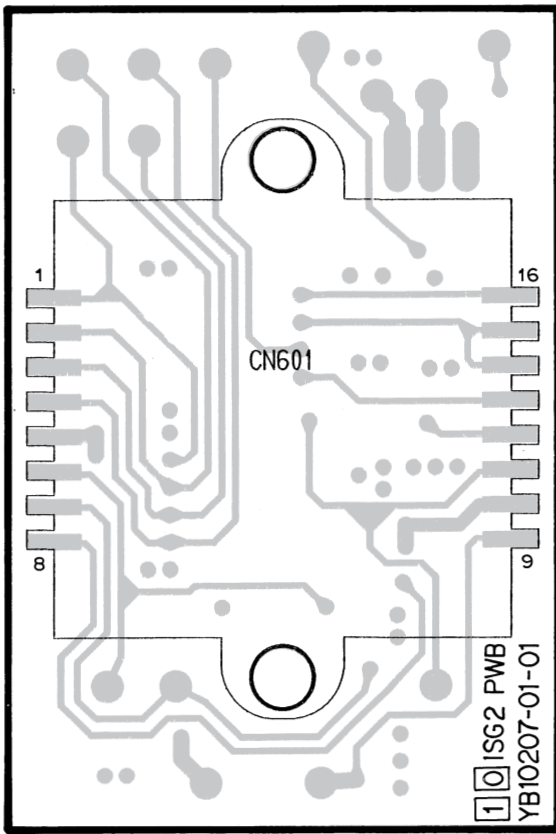


TO DR
CN108
(Page 4-44)

TO PA
CN104
(Page 4-45)

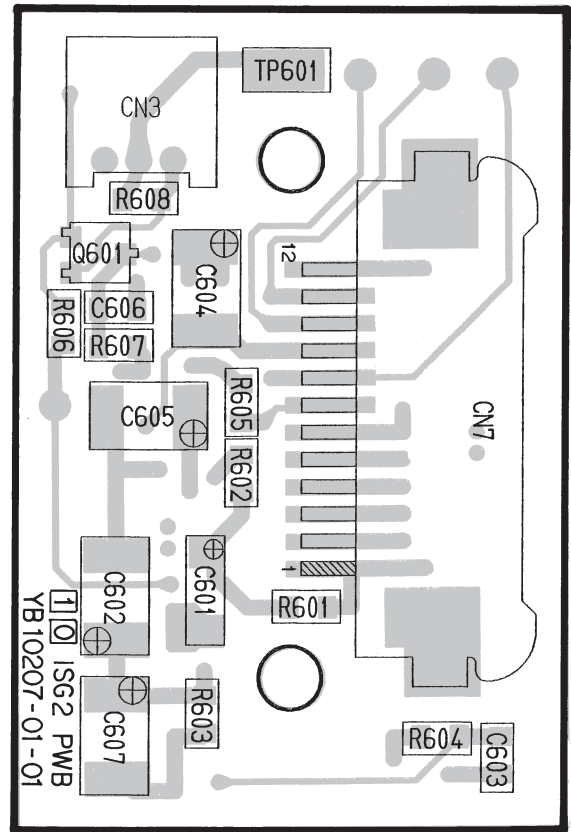
4.27 ISG2 AND ISR CIRCUIT BOARDS

FOIL SIDE(B)

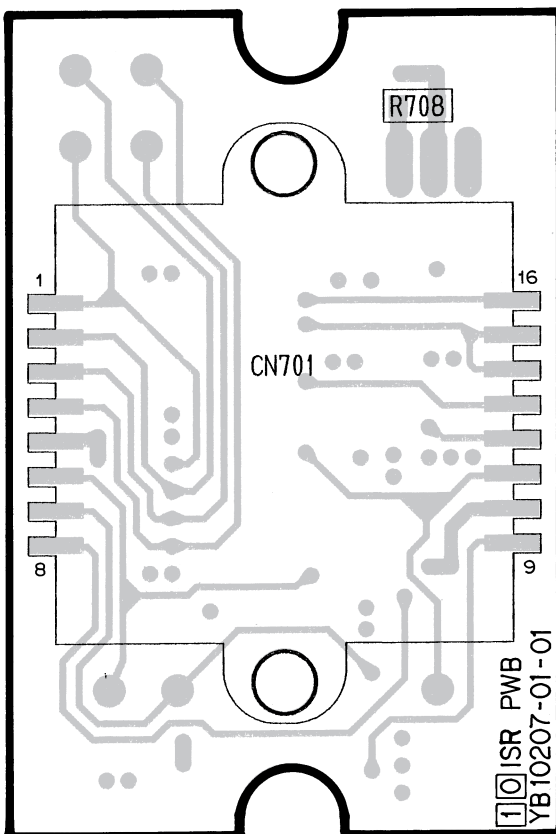


-ISG2-

COMPONENT SIDE(A)



FOIL SIDE(B)



-ISR-

COMPONENT SIDE(A)

